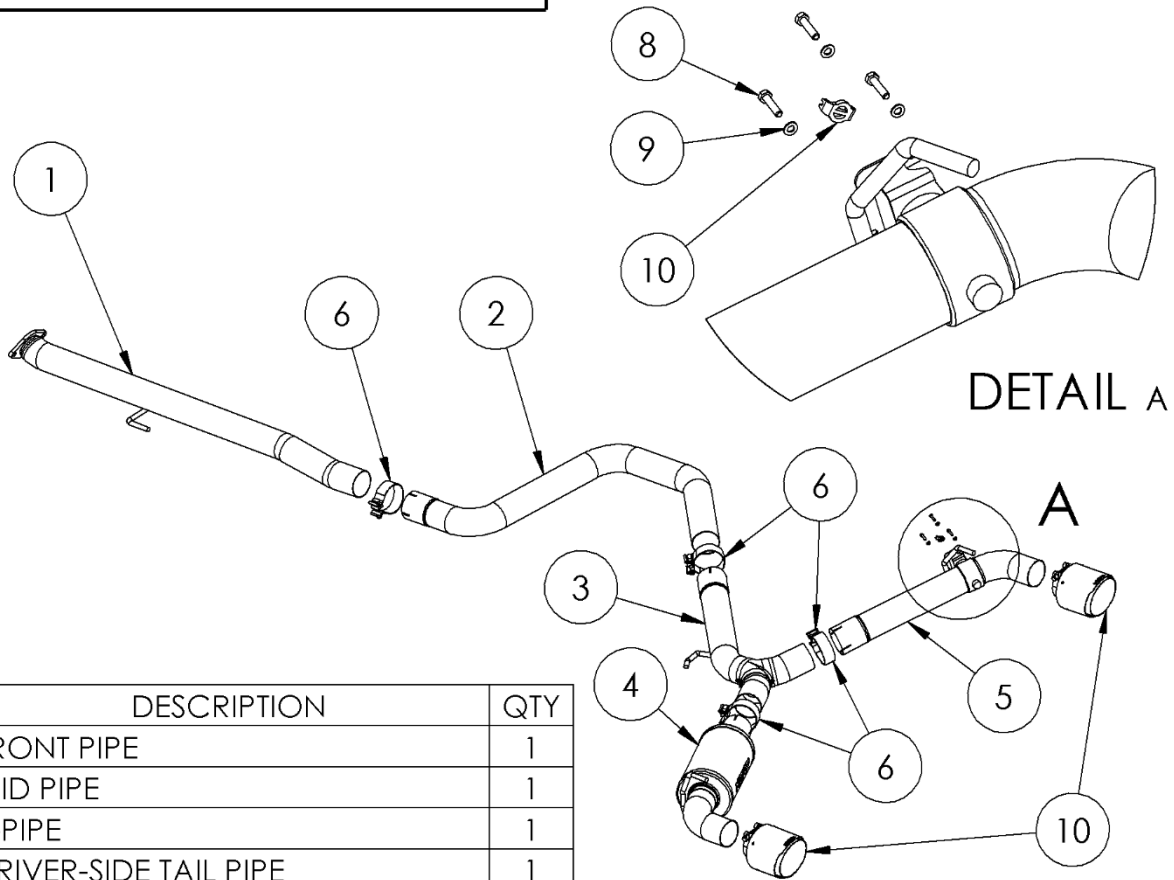


S4707

2019-UP HYUNDAI VELOSTER N, 2.0L,
CAT BACK, 3", DUAL SPLIT REAR, ACTIVE

MBRP®



ITEM	DESCRIPTION	QTY
1	FRONT PIPE	1
2	MID PIPE	1
3	Y-PIPE	1
4	DRIVER-SIDE TAIL PIPE	1
5	PASSENGER-SIDE ACTIVE TAIL PIPE	1
6	3.0" CLAMP	4
7	M5x22 HEX BOLT	3
8	M5 FLAT WASHER	3
9	SPRING HUB	1
10	TIP	2

PLEASE READ BEFORE STARTING INSTALLATION

While MBRP has made every effort to ensure that all components of this system are of superior quality and properly packaged, it is the installer's responsibility to ensure the following before removal of the factory exhaust:

- that ALL components shown above are present.
- that ALL mating components fit together.
- that there are no damaged components.
- that the system you have purchased is appropriate for your vehicle year, model and configuration.
- that the system will not interfere with any modifications previously installed or planned.
- that you have read and understand these instructions.

If you have any questions or are uncertain about any aspect of the installation of this system to your vehicle please contact your dealer before commencing installation.

MBRP

Removal of Stock System



Figure 1

1. Apply penetrating lubricant liberally to all exhaust fasteners, hangers, and rubber isolators.

2. Un-bolt the front pipe of the OEM exhaust from the downpipe.
Refer to Figure 1.

3. Support the exhaust and unplug the exhaust valve from the wiring harness on the passenger-side outlet. Remove all exhaust hangers from the OEM rubber isolators.

Refer to Figure 2.



Figure 2

4. Slide the exhaust rearward away from the downpipe and remove from the vehicle. Be sure to locate the OEM gasket at the downpipe flange and save it for re-installation.

Refer to Figure 1.

Installation of MBRP Performance Exhaust

1. Remove the OEM Valve Actuator from the OEM exhaust. Using the OEM flange nuts from the actuator, the **M5x22 Hex Bolts**, **M5 Flat Washers**, **Spring Hub**, and the OEM actuator spring, install the actuator on to the **Passenger-side Active Tail Pipe**.

Refer to Figure 3.

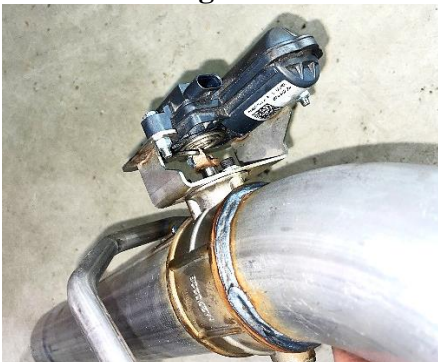


Figure 3

2. Install the **Front Pipe** with the OEM gasket onto the downpipe flange using the OEM hardware. Install the hanger into the OEM rubber isolator.
Refer to Figure 4.

3. Install the **Mid Pipe** onto the **Front Pipe** using one of the supplied **3.0" Clamps**. Do not tighten any of the clamps until final alignment unless specified.

Refer to Figure 5.



Figure 4

4. Install the **Y-Pipe** onto the **Mid Pipe** using another **3.0" Clamp**. Install the hanger on the **Y-Pipe** into the OEM rubber isolator. Align the system so that the **Y-Pipe** outlets sit level to each other and temporarily snug the two previously installed **3.0" Clamps** to hold the alignment.

Refer to Figure 6.

MBRP



Figure 5

5. Using a **3.0" Clamp**, install the **Passenger-Side Active Tail Pipe** onto the **Y-Pipe** and into the OEM rubber isolator.
Refer to Figure 7.



Figure 6

6. Install the **Driver-Side Tail Pipe** using the last **3.0" Clamp** and the OEM rubber isolator.

7. Disconnect the retaining clip on the OEM Valve Actuator wiring to reach the new valve location, reconnect the wiring to the OEM Valve Actuator. Install the **Tips** and align to your preference.
Refer to Figure 8.

8. Align the edge of each band clamp with the edge of the joint it is connecting. Tighten all hardware and clamps, starting at the front and working rearward to secure the system. Check along the full length of the exhaust system to ensure there is adequate clearance for fuel lines, vent lines, brake lines, frame, bodywork, suspension, and any wiring, etc. If there is any interference detected, relocate, or adjust to provide adequate clearance. Ensure all clamp connections are secure and components are unable to rotate or slide. Band clamps require approximately 45 lb-ft (60 N-m) of torque. Verify clearances, system security and band clamp torque after 30-60 miles (50-100 km) of driving.



Figure 7



Figure 8



Congratulations! You are ready to begin experiencing the improved power, sound and driving experience of your **MBRP Performance Exhaust**. We know you will enjoy your purchase!