

2014-2018 Chevrolet & GMC Silverado/Sierra Light Duty Crew Cab and 2015-2019 Silverado/Sierra Heavy Duty Crew Cab Underseat Storage

Fits DU-HA Part Numbers

10300 10302
10301 10303
10307

Installation Instructions:

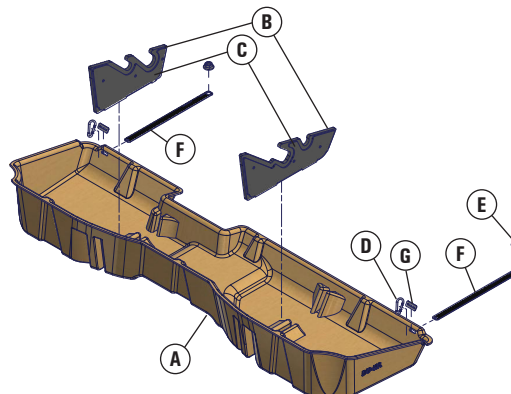
- 1 Lift up the bottoms of both sides of the back seat.
- 2 Place the large hole of Metal Straps (F) onto the threaded stud under the rear seat on top of the ledge behind the jack and jack tools, secure with 1/2" Nut – 10300 (E), as pictured, on drivers side and passenger side.
- 3 Position the DU-HA (A) under the back seat, with the cut out slots facing towards the truck bed.
- 4 Insert the Metal Strap (F) through the slot in the back of the DU-HA (A) and slide the Rectangular Washer (G) over the Metal Strap (F).
- 5 Secure each Metal Strap (F) to the DU-HA (A) using the Carabiner (D), open the Carabiner and insert through the small hole on the Metal Strap (F).
- 6 Install the Foam Organizer / Gun Rack (B) and Plastic Stiffeners (C) by sliding them into the channel slots inside the DU-HA (A), making sure the high side of each piece faces towards the front.
- 7 Lower the bottoms of both sides of the back seat to their original position.

Safety Instructions:

Warning: Seat bottom must be down at all times while vehicle is moving. Make sure the DU-HA is secured in the vehicle according to installation instructions. Do not store explosives or hazardous materials in the DU-HA. Do not place loaded guns in the DU-HA. For further instructions refer to truck owners manual or contact DU-HA, Inc.



2 shotguns or rifles, 1 with scopes, will fit in the gun rack, as pictured.



Part	Part Number	Description	Qty
A	--	DU-HA Storage Unit	1
B	Divider-10300R	Foam Organizer / Gun Rack	2
C	Divider-10300R	Plastic Stiffener	2
D	1001213	Carabiner	2
E	Nut-10300	1/2" Nut – 10300	2
F	1001162	Metal Strap	2
G	1001212	Rectangular Washer	2



2014-2018 Chevrolet & GMC Silverado/Sierra Light Duty Crew Cab and 2015-2019 Silverado/Sierra Heavy Duty Crew Cab LOCKBOX – Underseat Storage

*Fits DU-HA Part Number
10307*

Installation Instructions:

- 1** Install the Du-ha Lockbox by following the instructions included with the divider kit. To remove Lockbox remove the carabiner and washer from both sides and slide the Lockbox out of the vehicle. To re-install set the Lockbox back in the vehicle, slide each metal strap through each slot in the back of the Lockbox. Slide the washer over and metal strap and secure with the carabiner, on both sides.
- 2** To lock the Lockbox insert the key into the lock with the teeth on the key pointing to the outside of the vehicle. Once the key is inserted turn the key clockwise to lock the driver's side and counter-clockwise to lock the passenger's side. When locked the teeth on the key should be pointing downward. Remove the key.
- 3** To Un-lock the Lockbox insert the key into the lock with the teeth on the key pointing downward. Turn the key counter-clockwise to unlock the driver's side and clockwise to unlock the passenger's side.

Safety Instructions:

Warning: Make sure the DU-HA is secured in the vehicle according to installation instructions. Do not store explosives or hazardous materials in the DU-HA. Do not place loaded guns in the DU-HA. For further instructions refer to truck owner's manual or contact DU-HA, Inc.



Passenger's Side

Driver's Side

