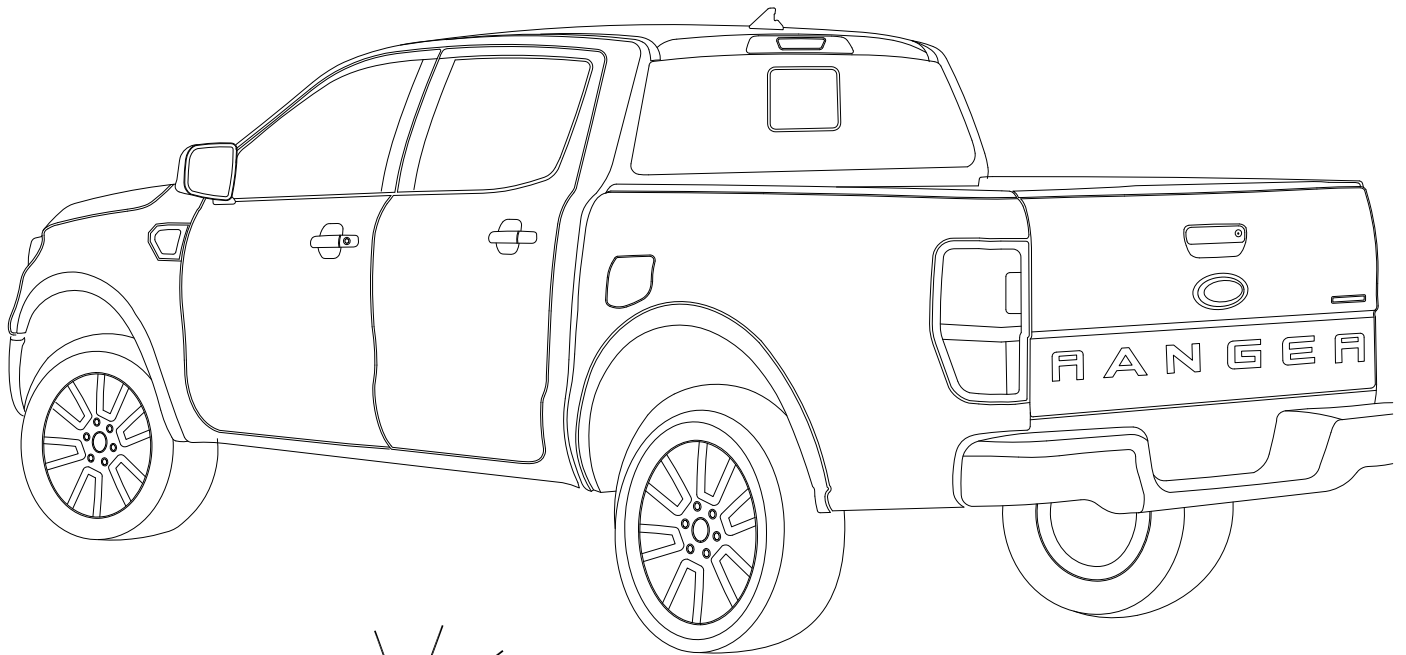




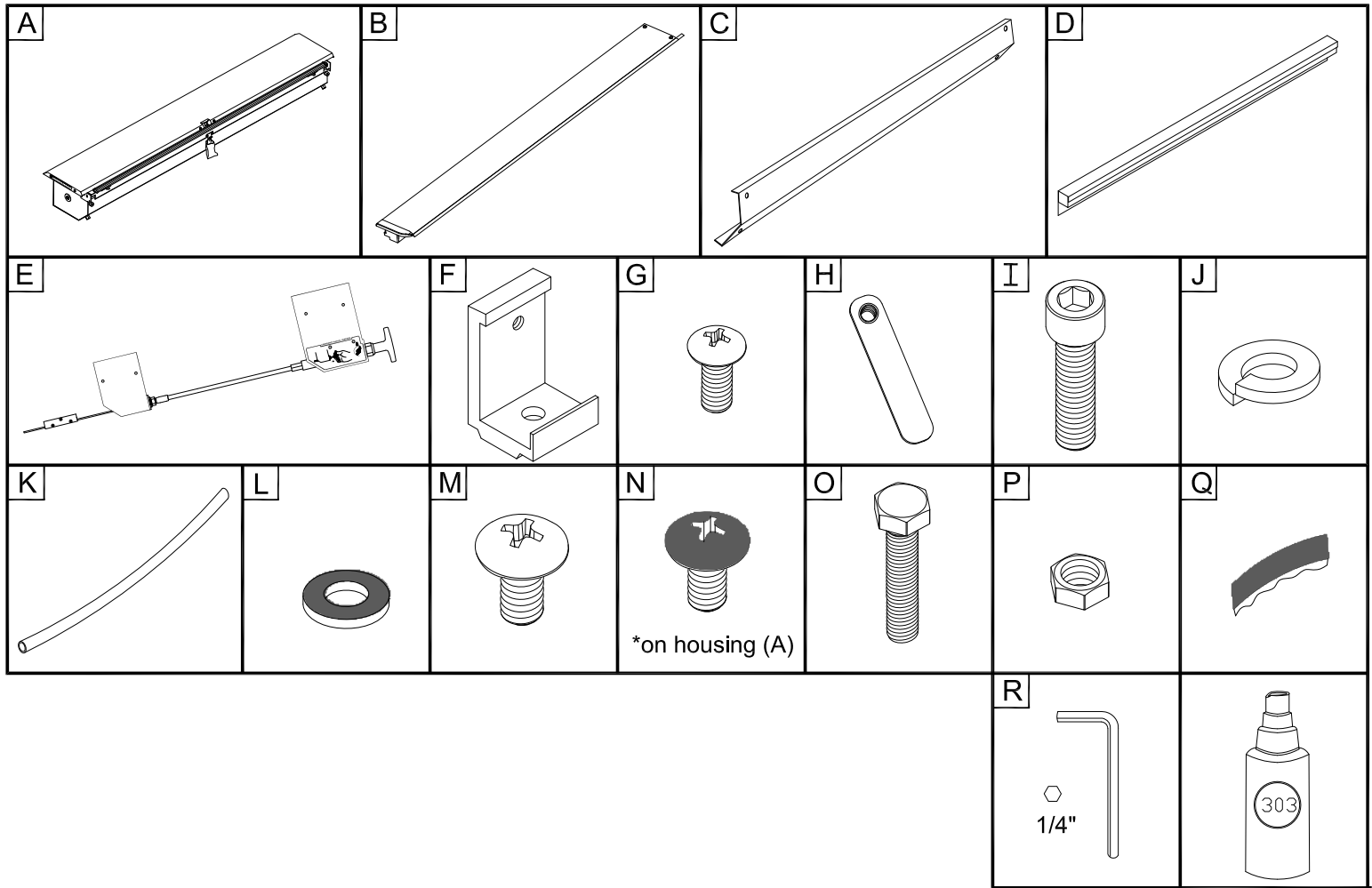
# E-Series Installation Guide 2019 Ford Ranger



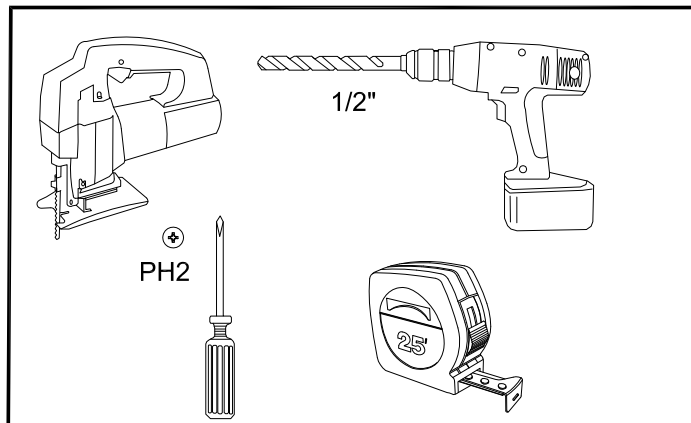
Product Code  
RC122E-RC123E

# Parts List

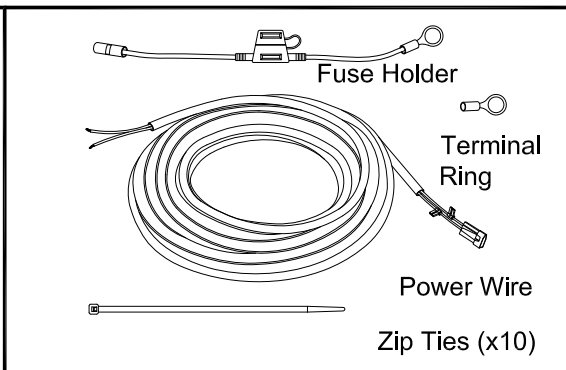
Item	Part Name	Qty.	Item	Part Name	Qty.	Item	Part Name	Qty.
A	Housing	1	G	#10-24 Screw	6	M	1/4-20 x 3/8" Screw	4
B	Track	2	H	Cargo Nut	6	N	1/4-20 Lid Screw	2
C	Cargo Shield/Track spacer	1	I	5/16-18 x 1" Cap Screw	6	O	1/4-20 x 1" Screw	2
D	Bulkhead Flashing	1	J	5/16 Lock Washer	6	P	1/4-20 Nut	2
E	Override Cable	1	K	Drain Tube	2	Q	Butyl Caulk Strip	2
F	Bed Clamp	6	L	Black Rubber Washer	4	R	Allen Wrench (1/4")	1
							303 Vinyl Protector	1



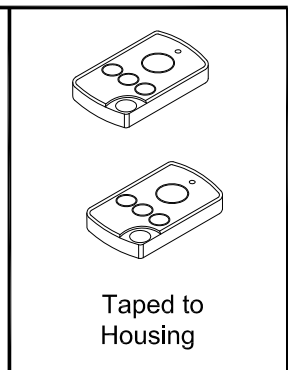
## Tools Needed



## Power Wire / Connectors

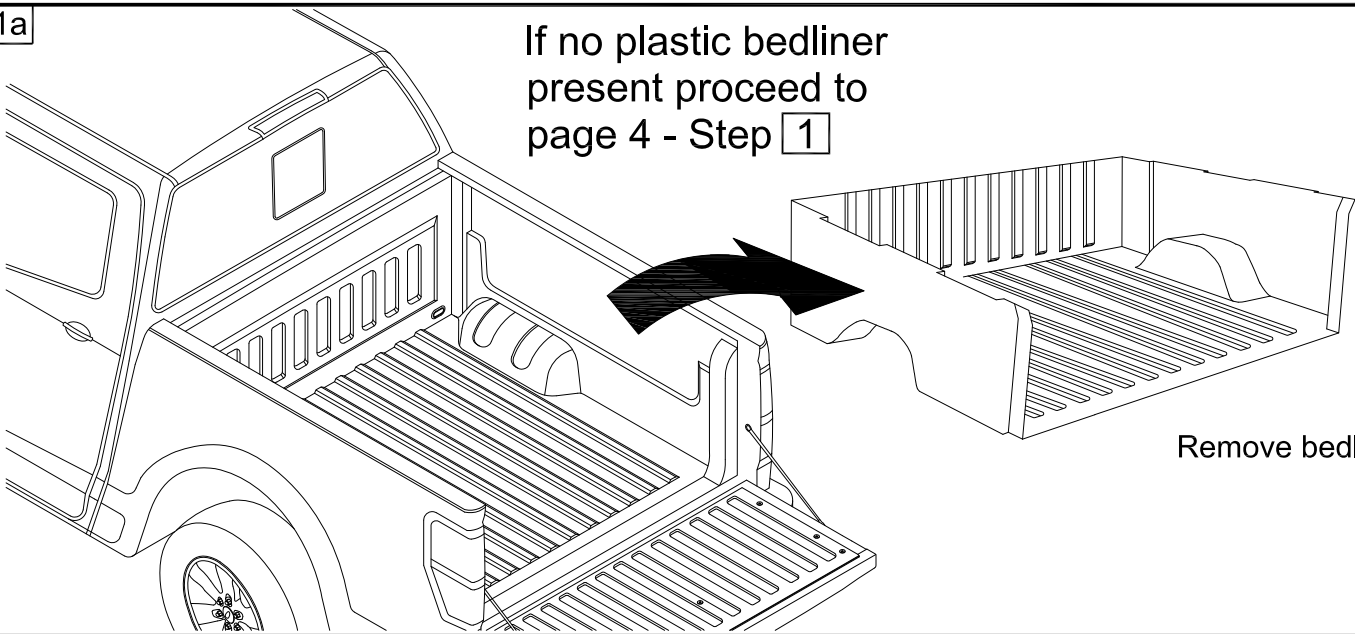


## Remotes



1a

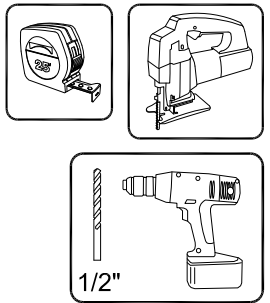
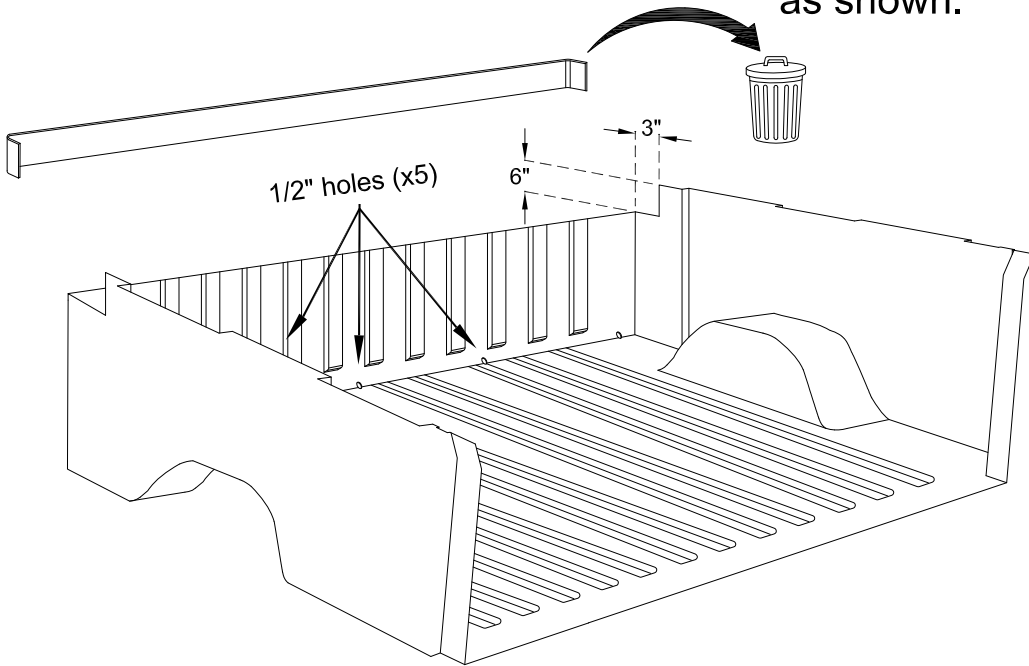
If no plastic bedliner present proceed to page 4 - Step 1



Remove bedliner

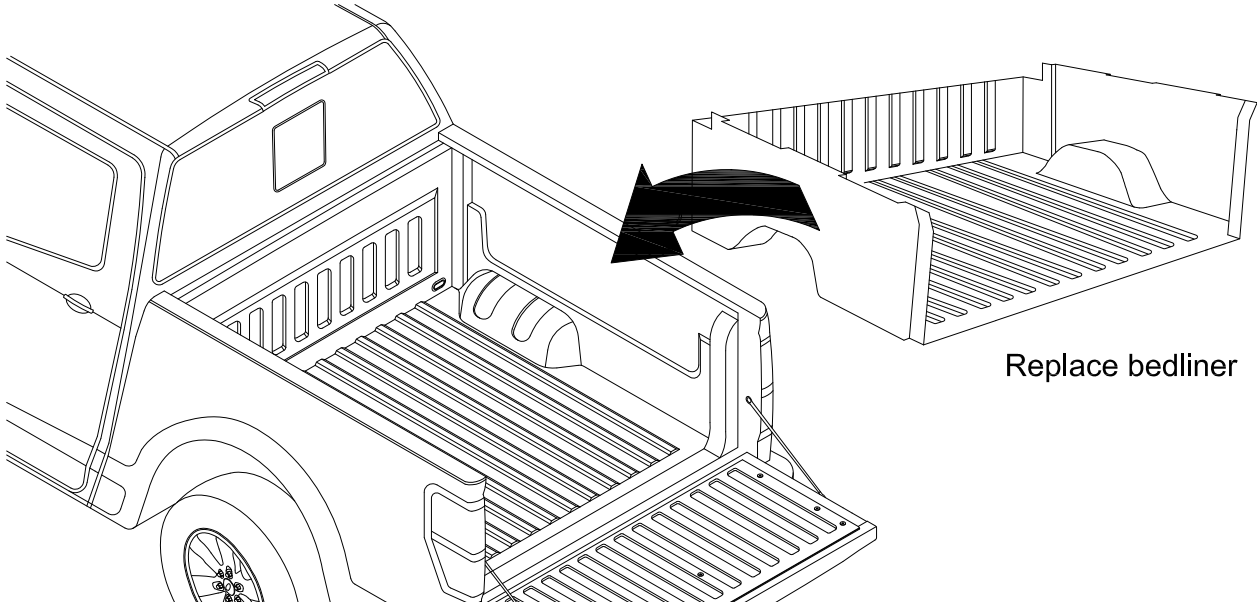
1b

Cut bedliner as shown.



1/2"

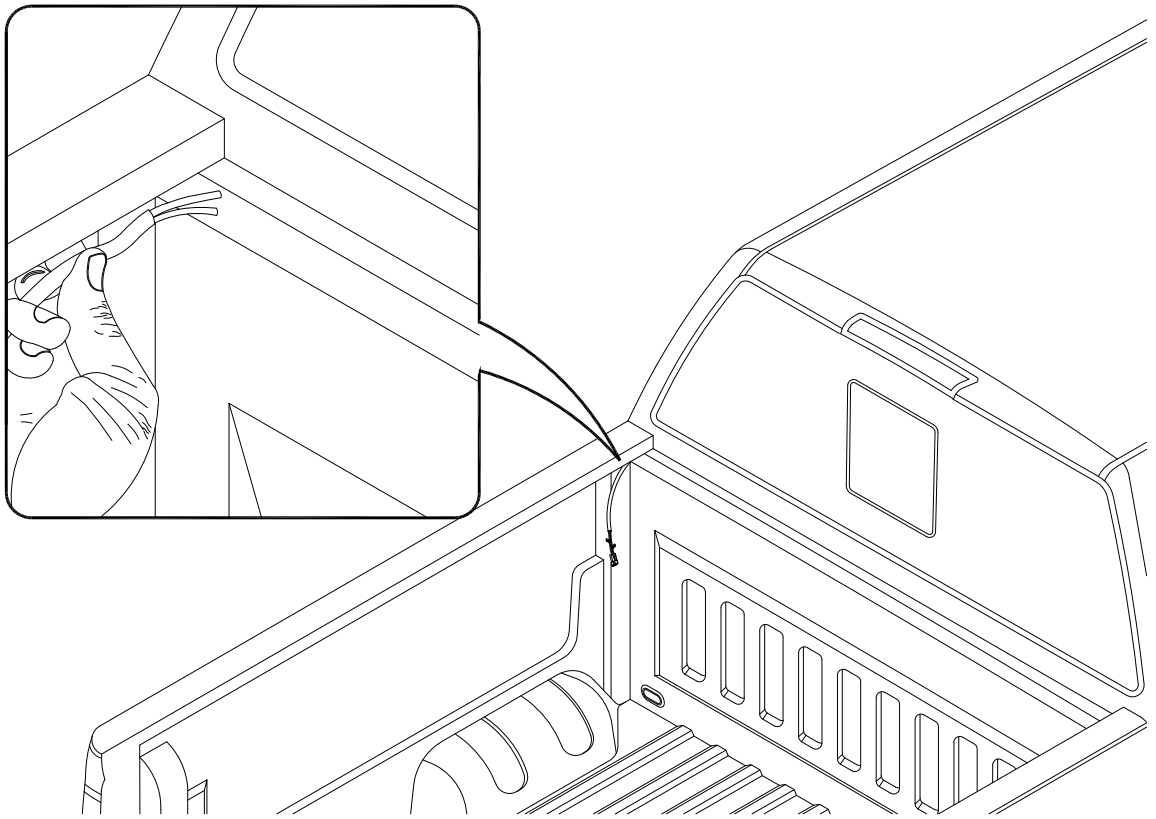
1c



Replace bedliner

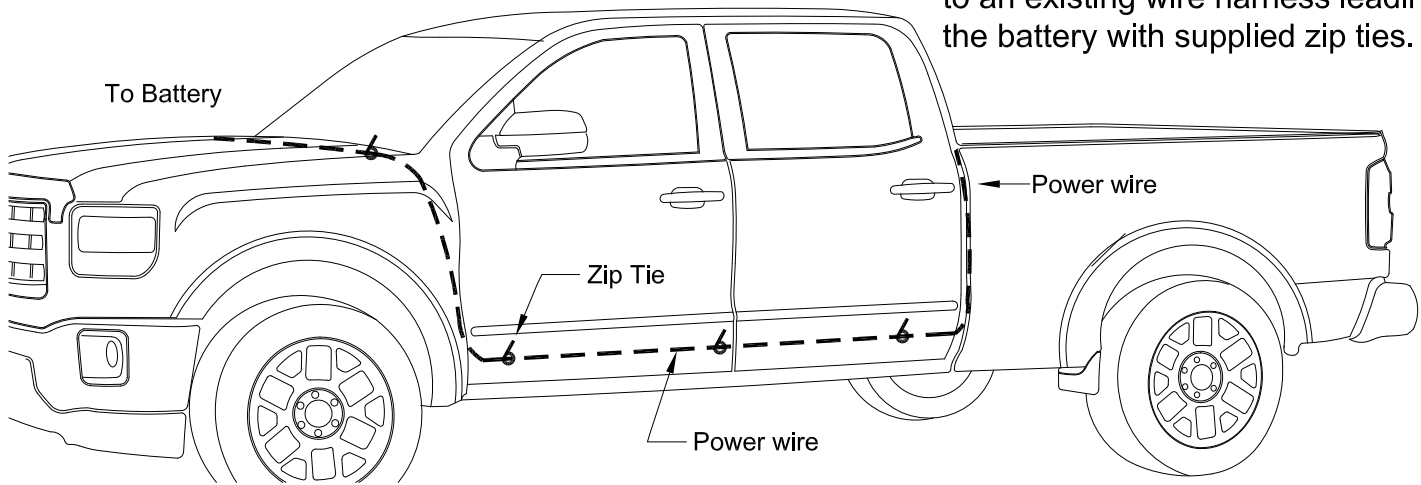
1

Feed end of power wire through the hole on the drivers side of truck, then down through the side panel to the ground. Leave 2 feet of power wire in the truck bed.



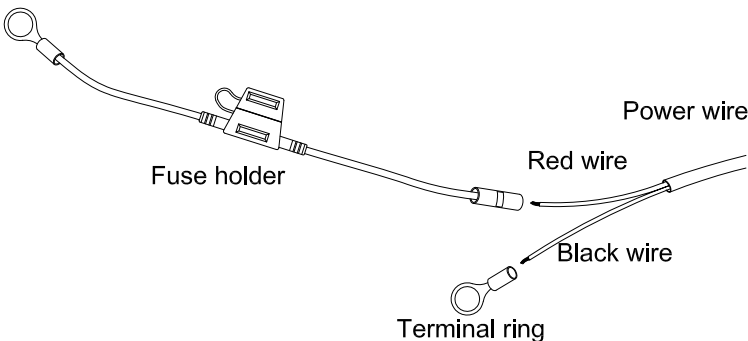
2

Run power wire under the truck securing to an existing wire harness leading to the battery with supplied zip ties.

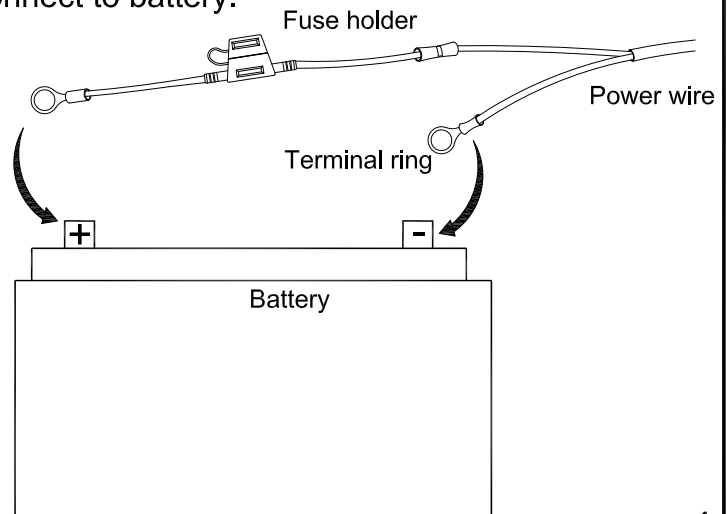


2

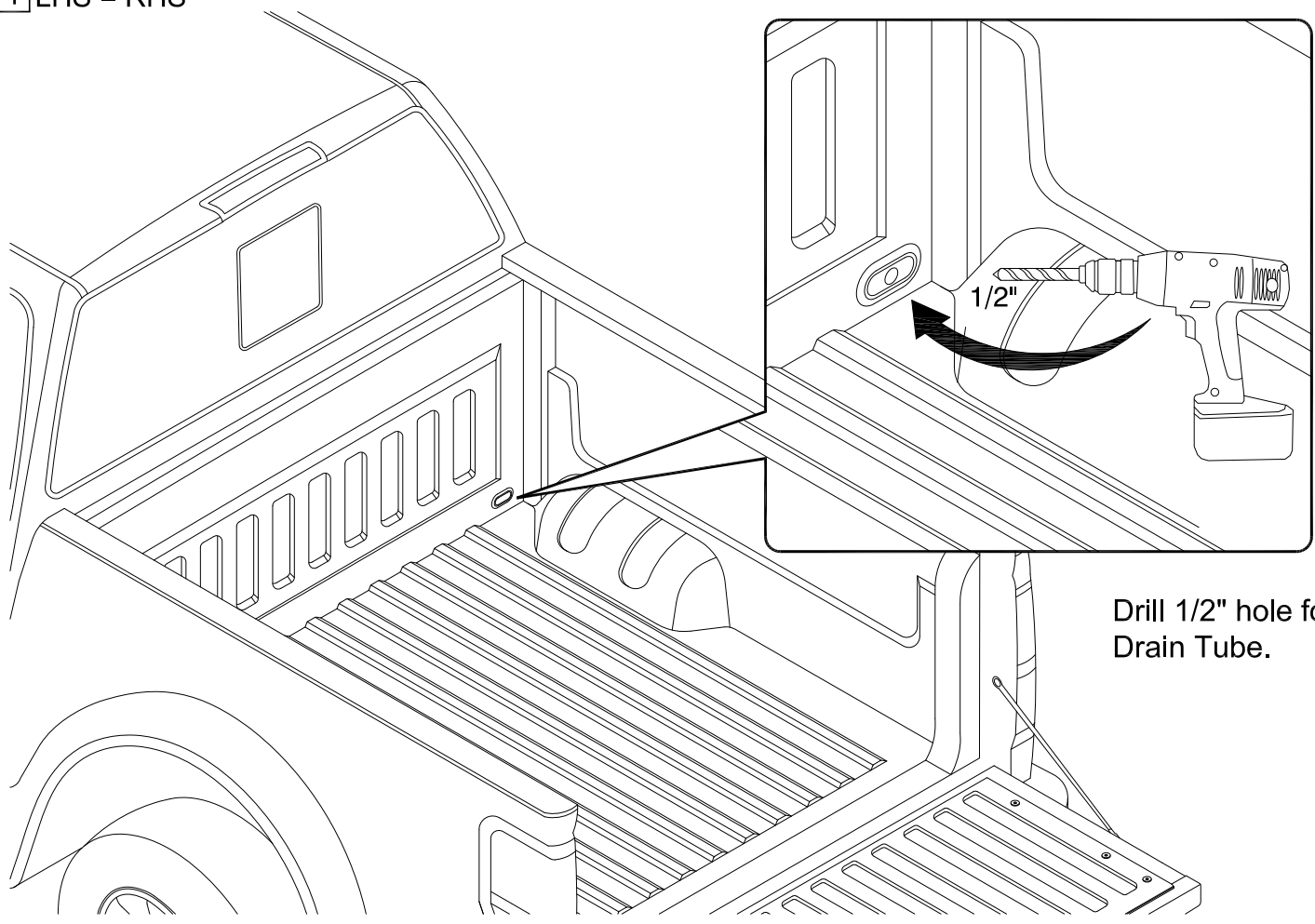
Crimp the fuse holder to the RED wire and the terminal ring to the Black wire.



Connect to battery.

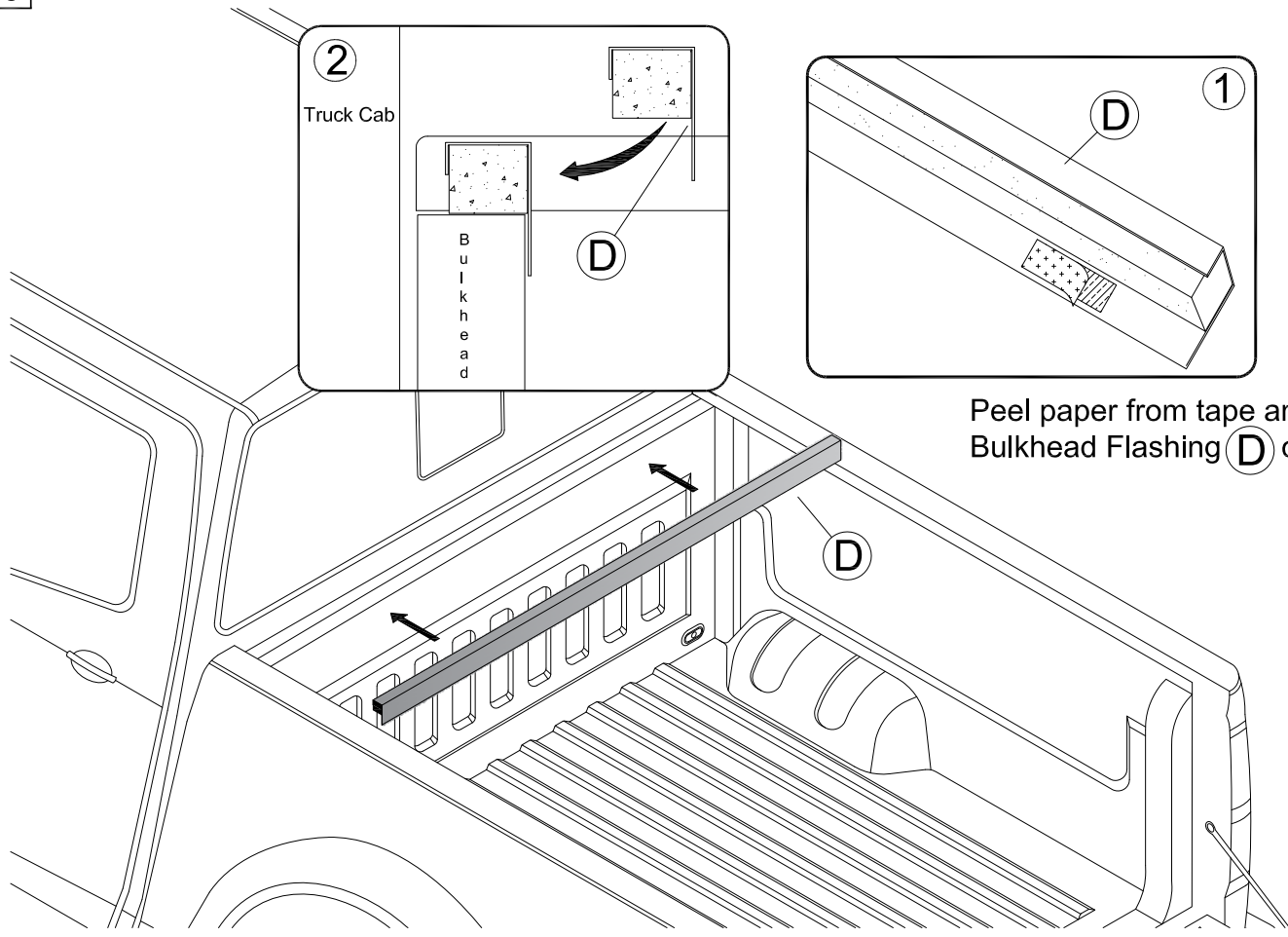


4 LHS = RHS



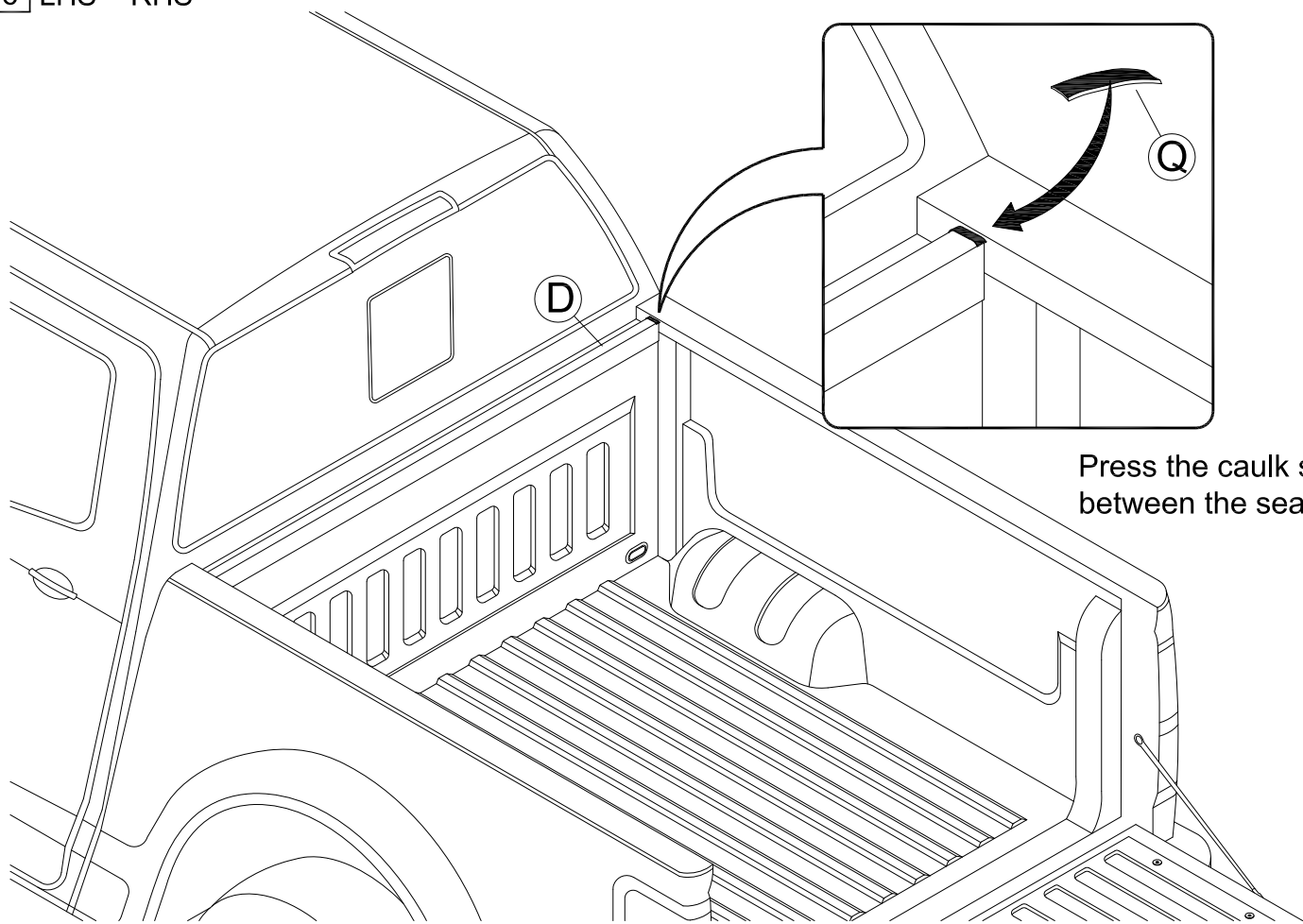
Drill 1/2" hole for  
Drain Tube.

5



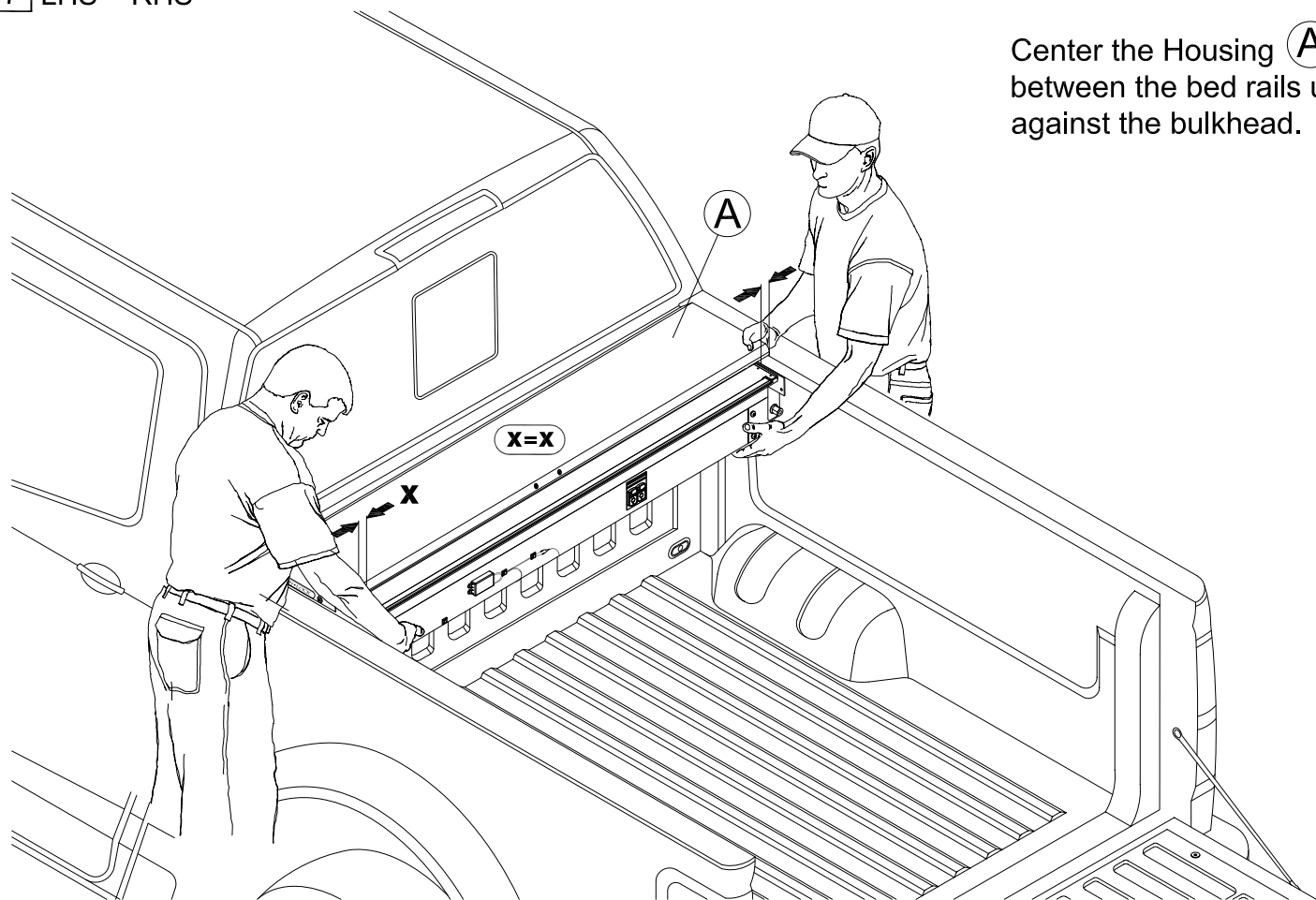
Peel paper from tape and stick  
Bulkhead Flashing (D) onto bulkhead.

6 LHS = RHS



Press the caulk strip **Q** between the seams.

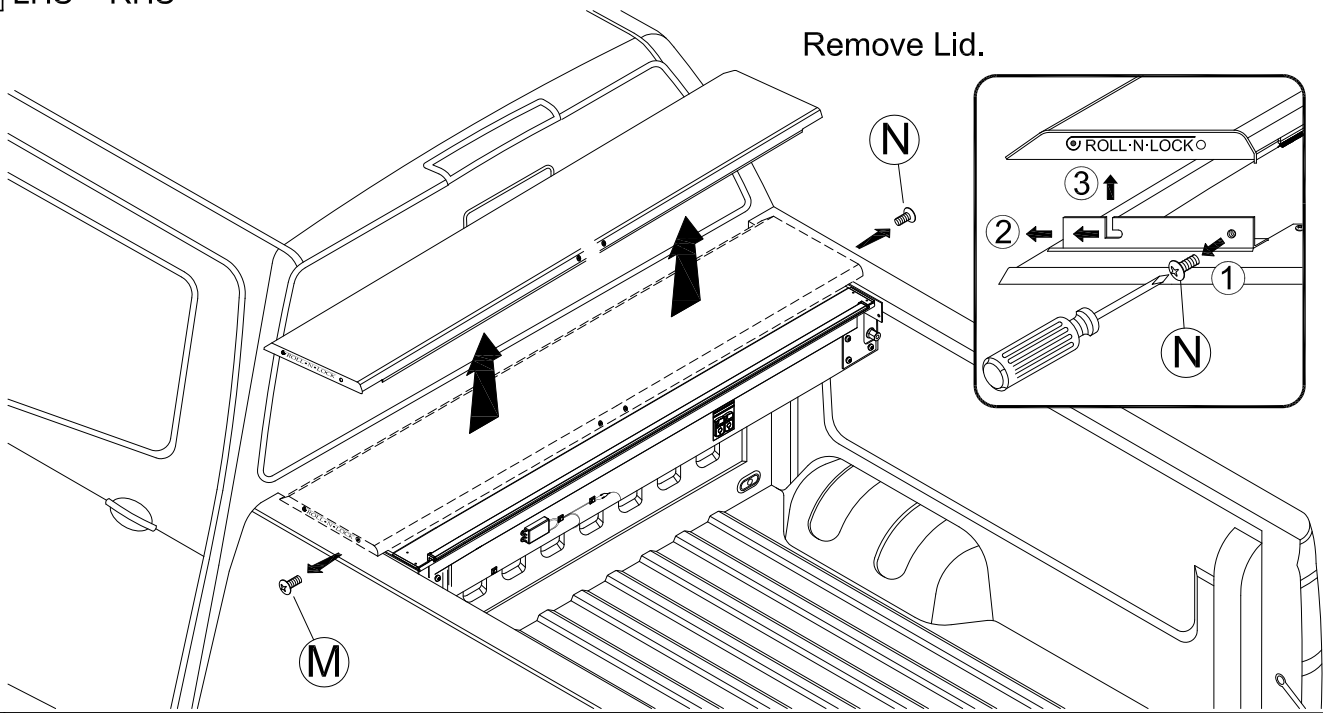
7 LHS = RHS



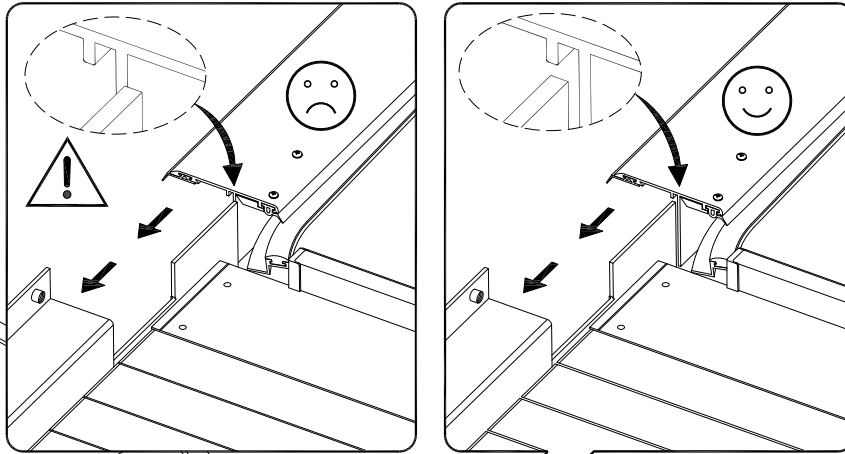
Center the Housing **A** between the bed rails up against the bulkhead.

8 LHS = RHS

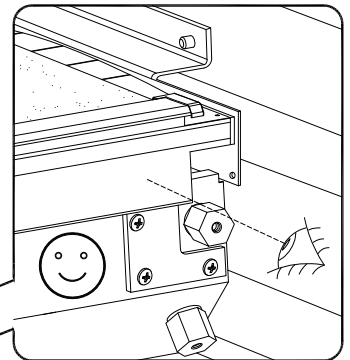
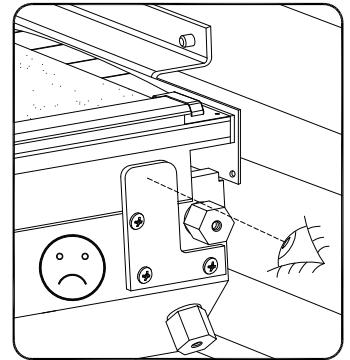
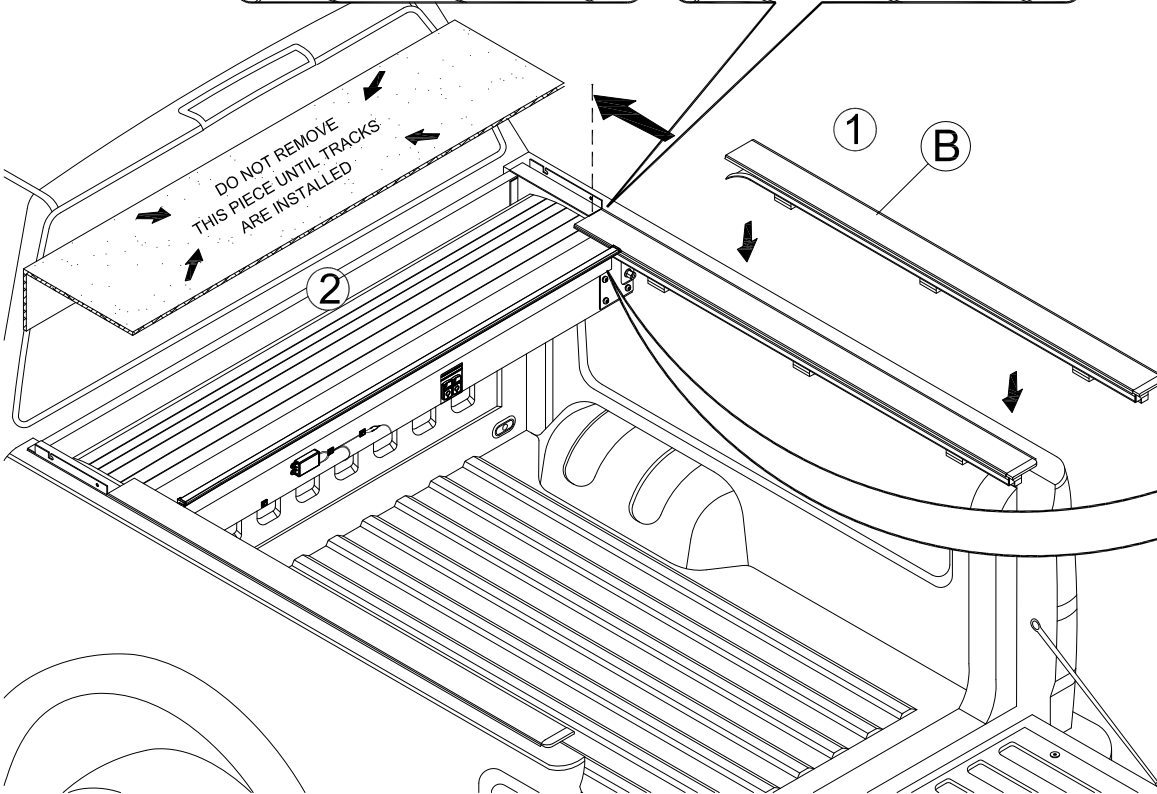
Remove Lid.



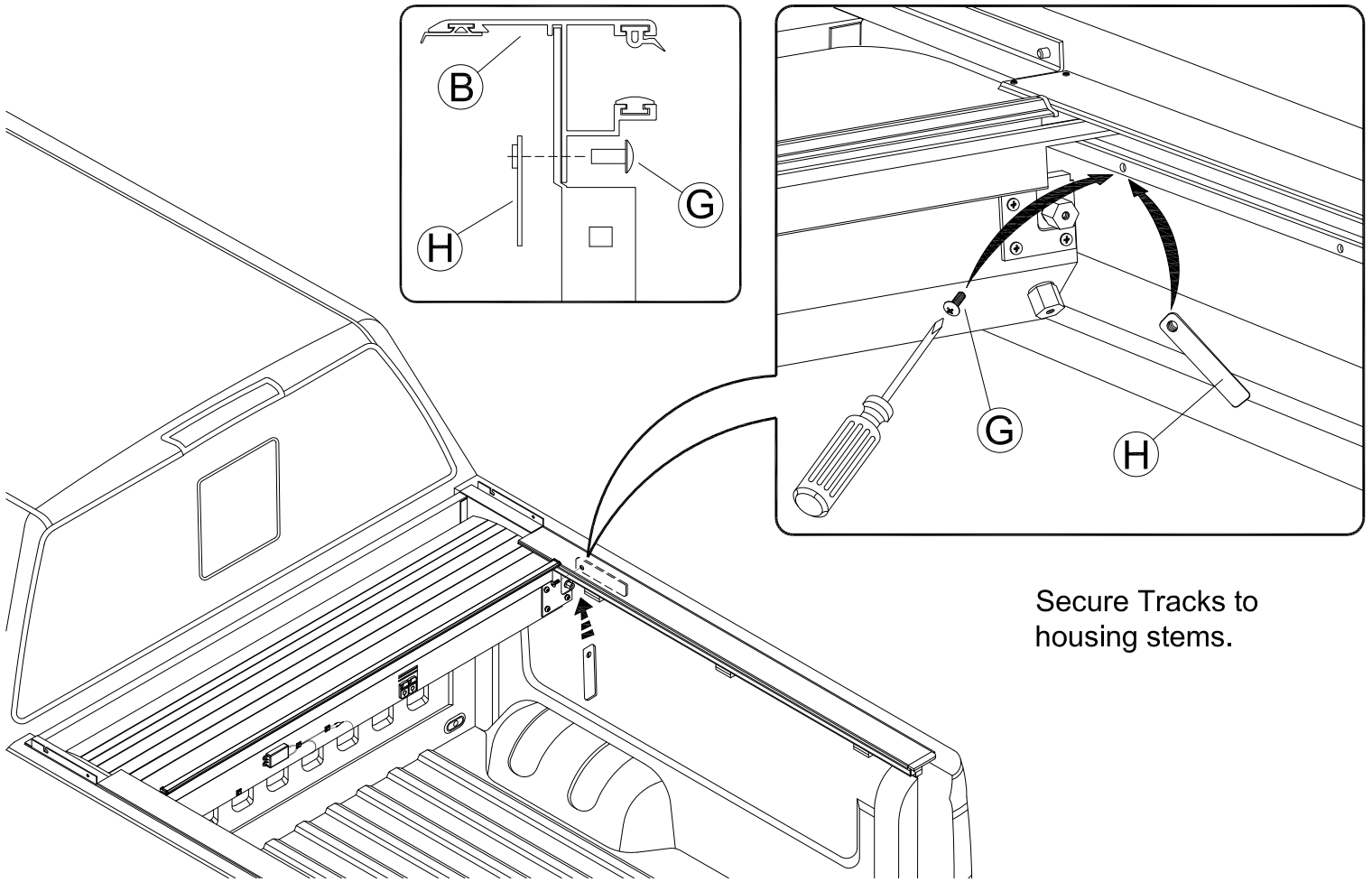
9 LHS = RHS



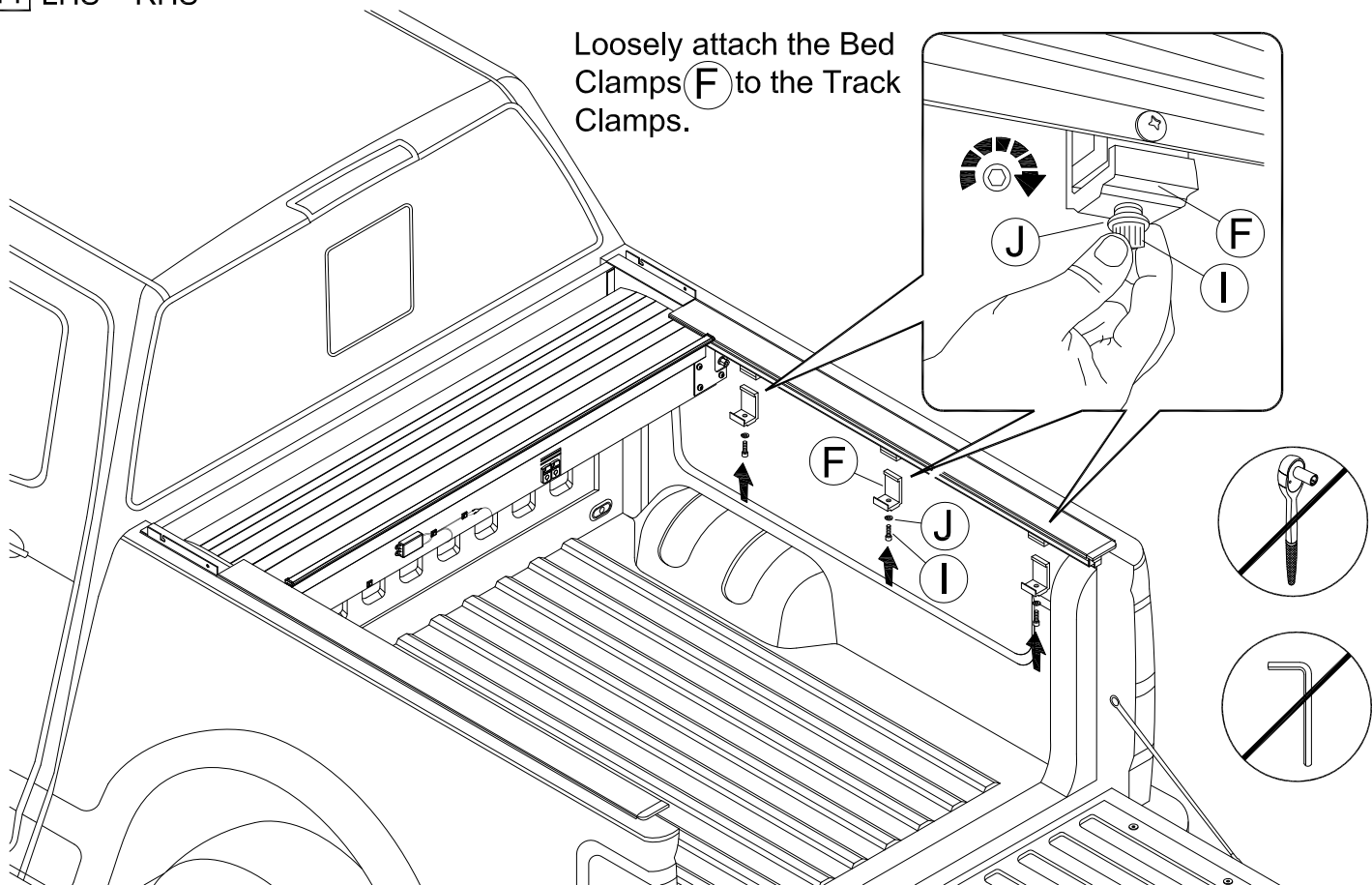
1. Key Tracks (B) onto housing stems.
2. Remove packing cardboard.



10 LHS = RHS



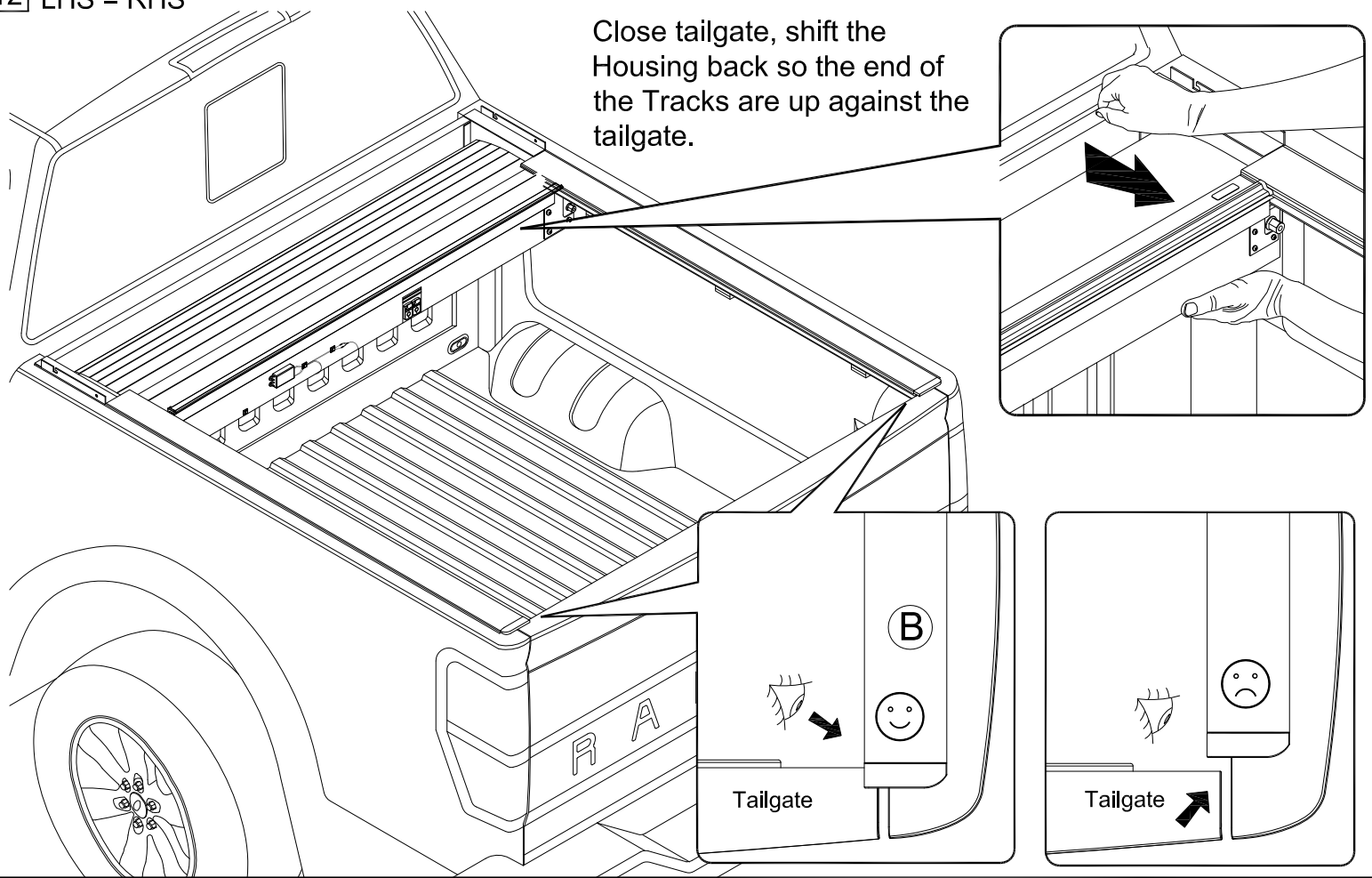
11 LHS = RHS





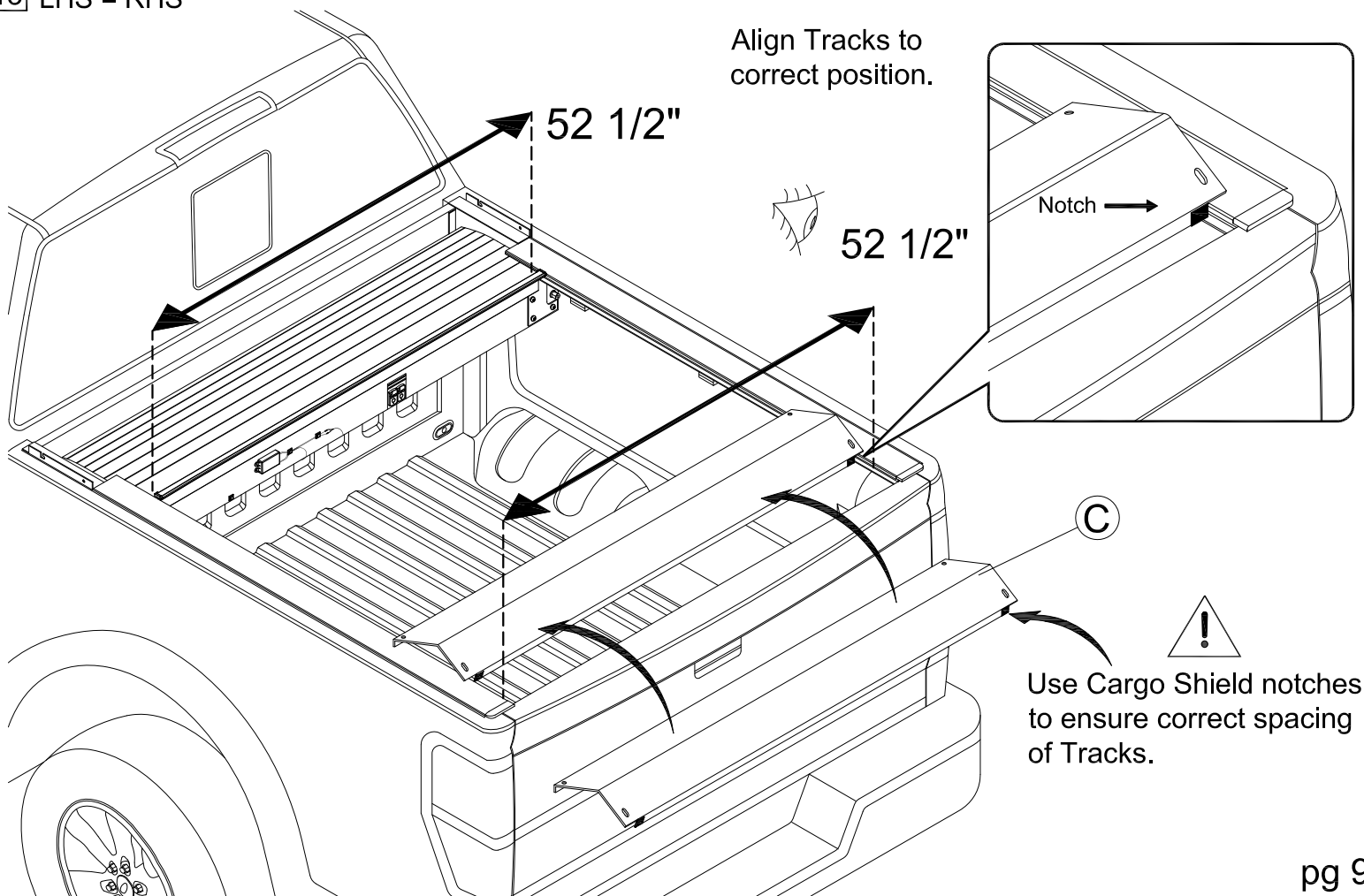
12 LHS = RHS

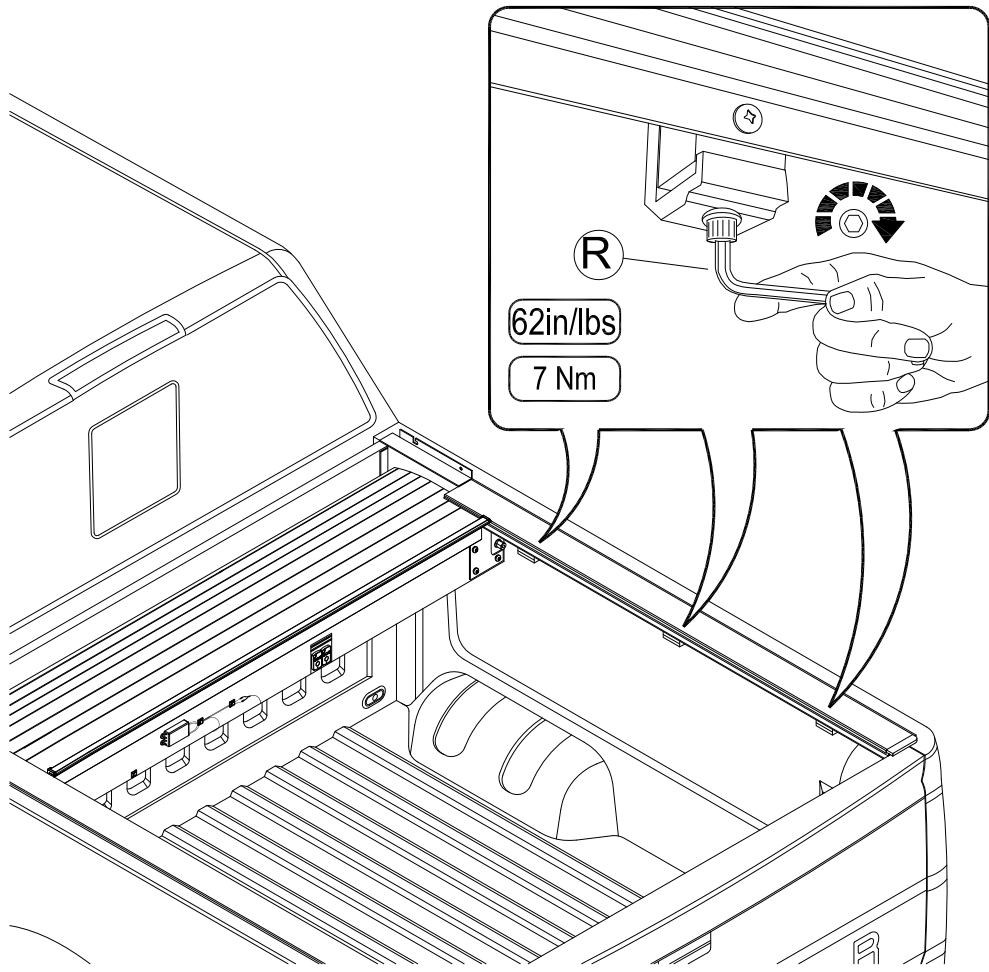
Close tailgate, shift the Housing back so the end of the Tracks are up against the tailgate.



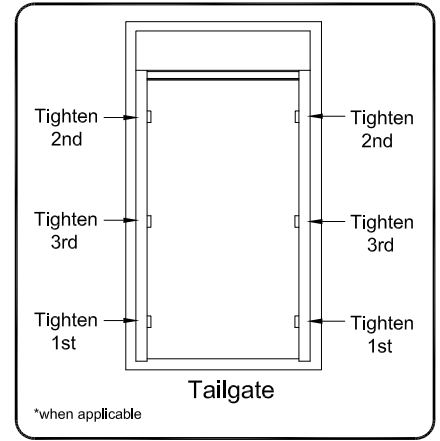
13 LHS = RHS

Align Tracks to correct position.

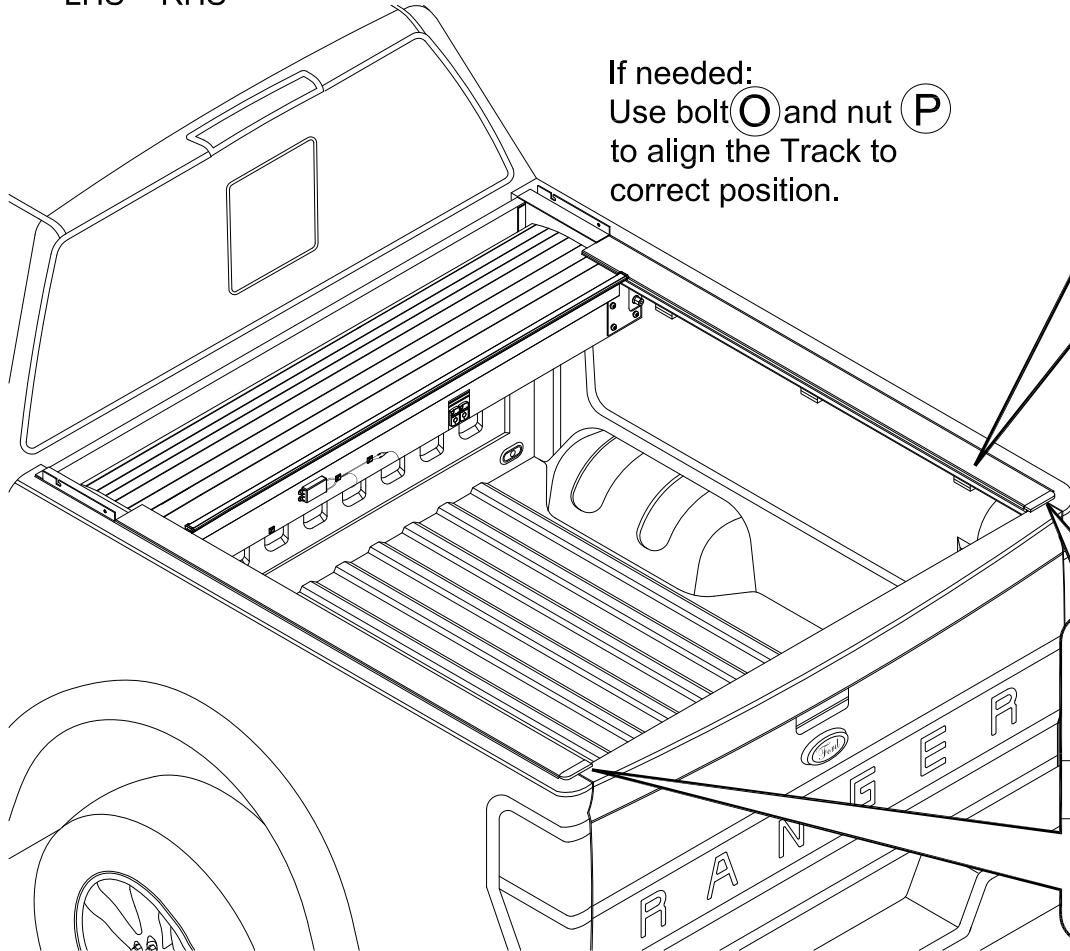




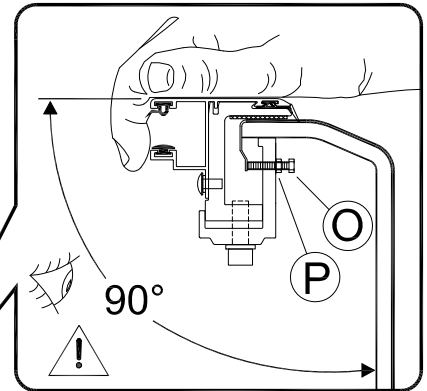
Tighten Bed Clamps to the Track Clamps.



LHS = RHS



If needed:  
Use bolt (O) and nut (P)  
to align the Track to  
correct position.



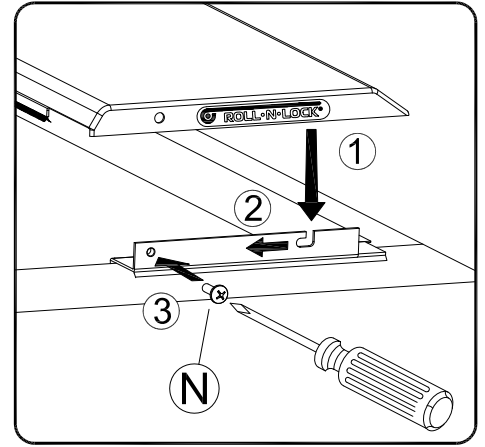
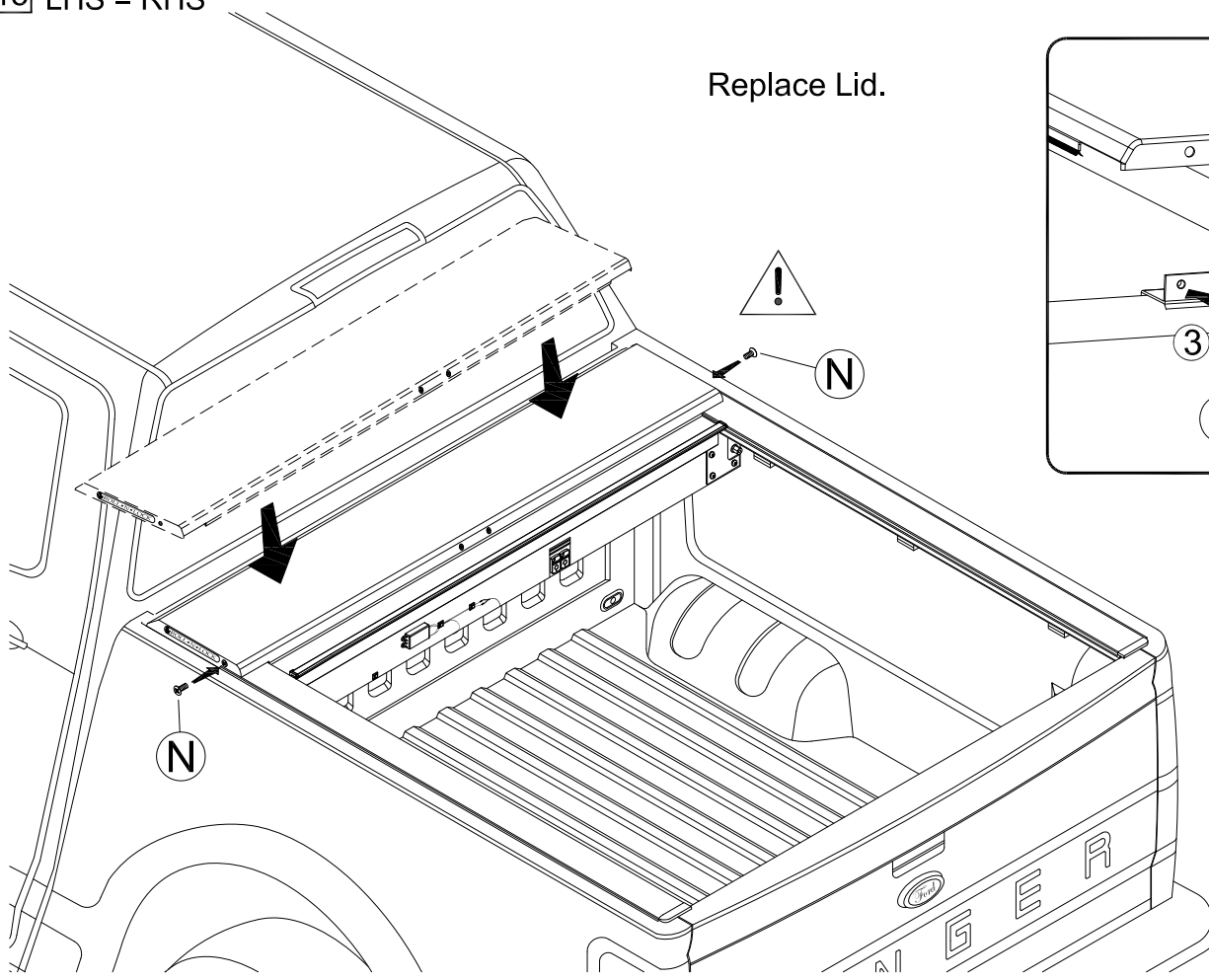
1/8" space between Track  
End Cap and tailgate.

Track end cap

Tailgate

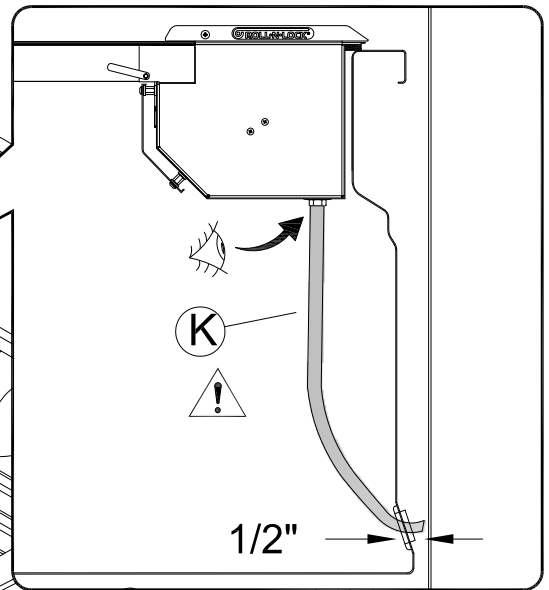
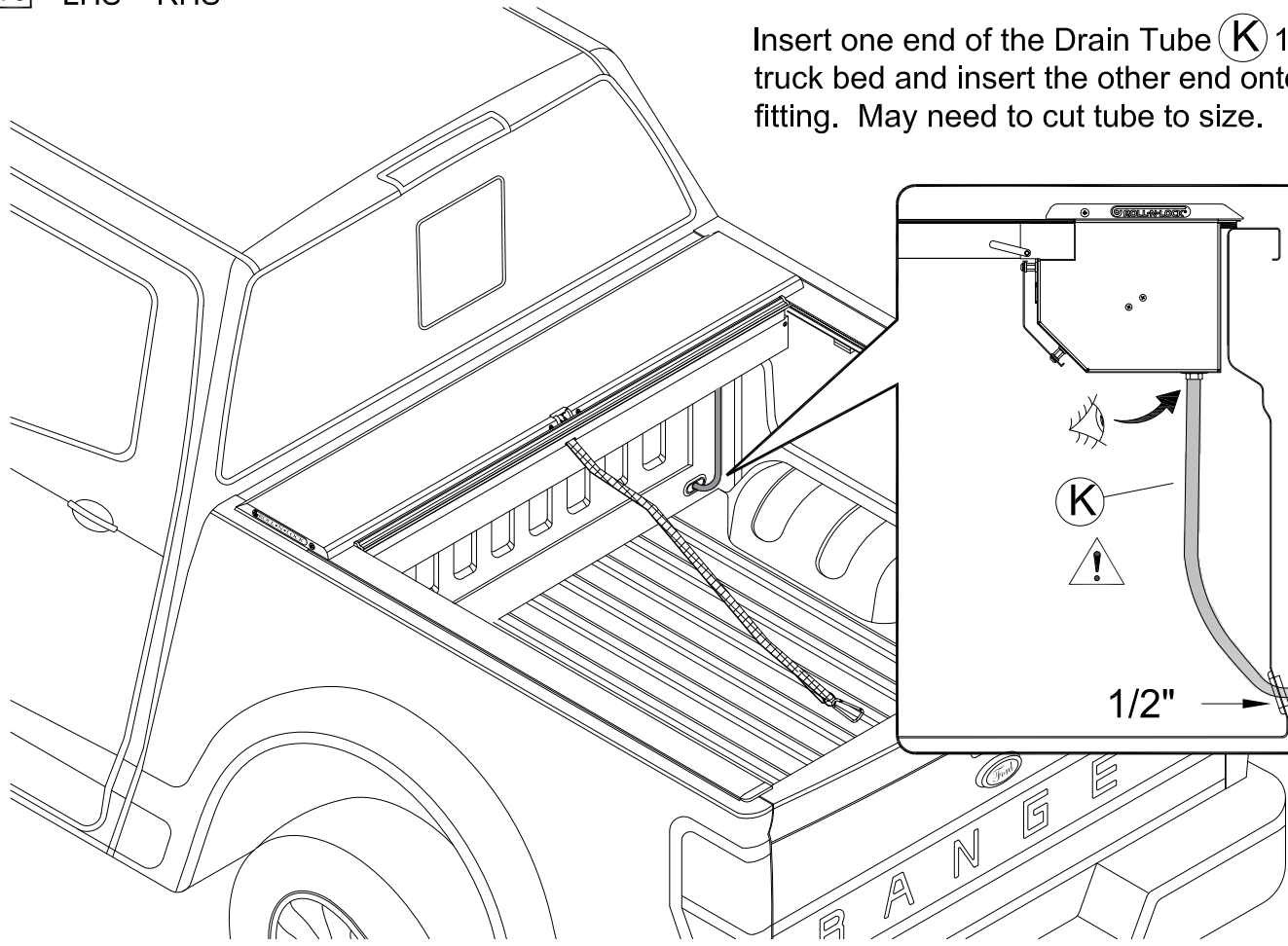
15 LHS = RHS

Replace Lid.



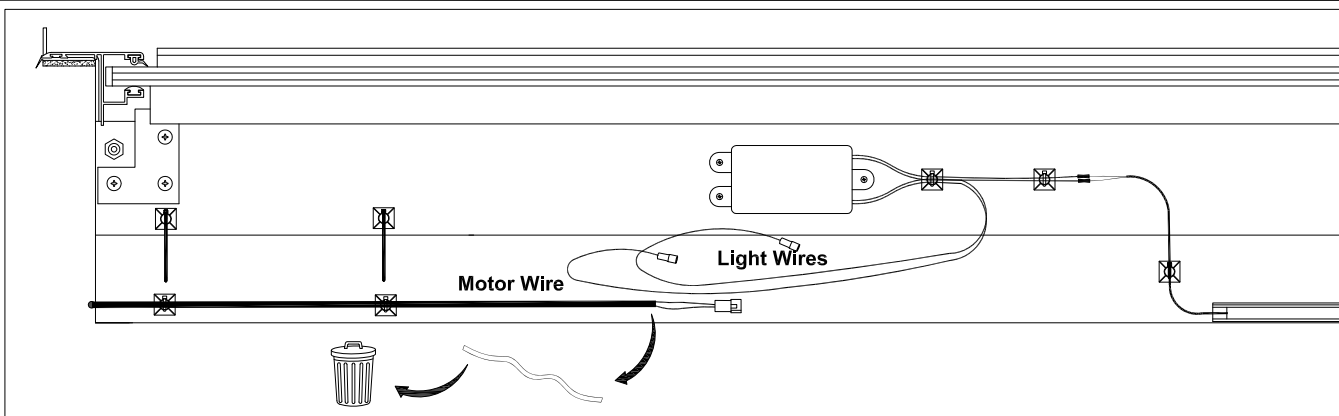
16 LHS = RHS

Insert one end of the Drain Tube (K) 1/2" through the truck bed and insert the other end onto the Housing fitting. May need to cut tube to size.

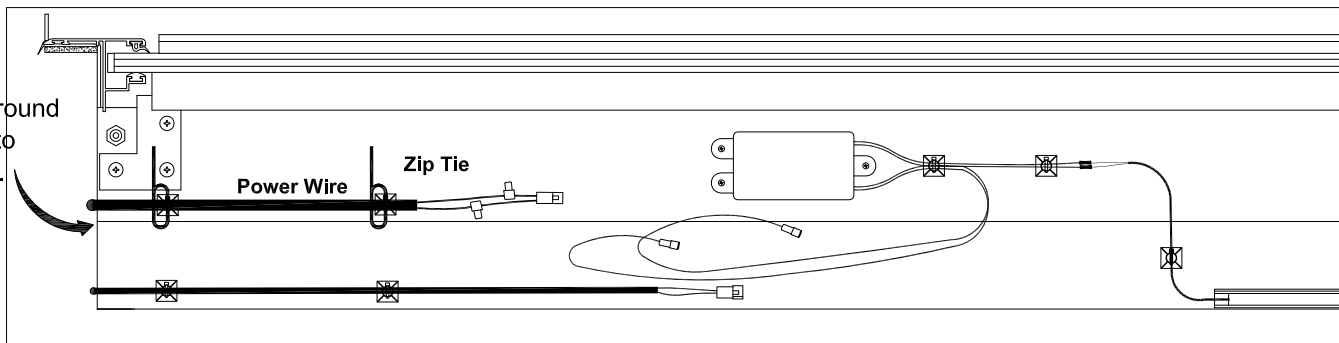


# 17 Powering the unit:

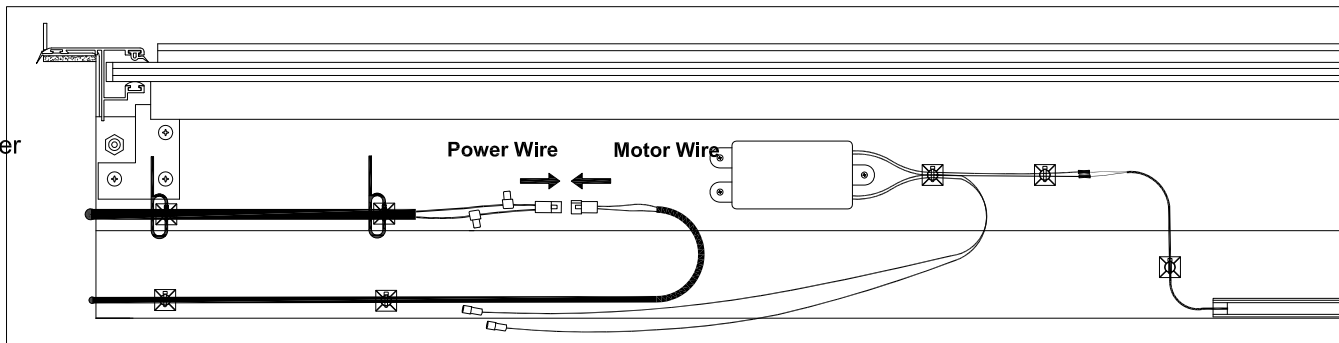
**A**  
Unwrap light wires from motor wire.



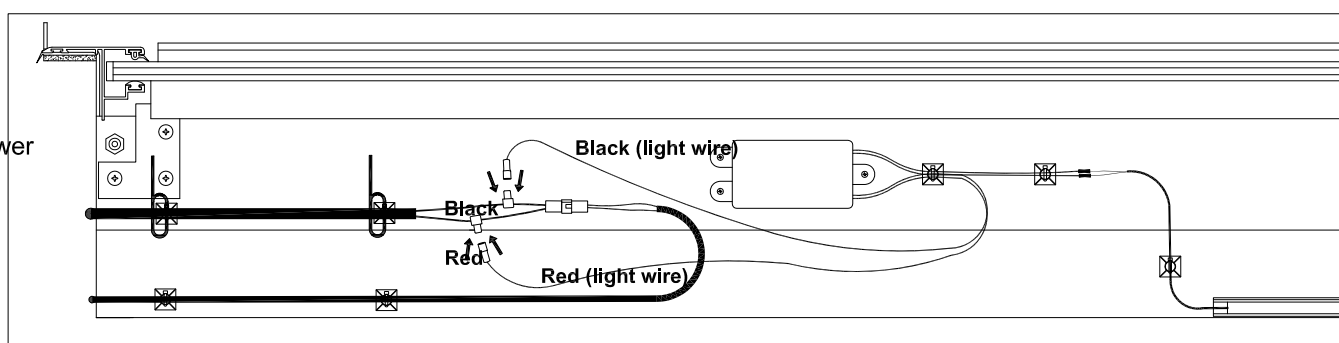
**B**  
Bring power wire around and loosely zip tie to the front of the unit.



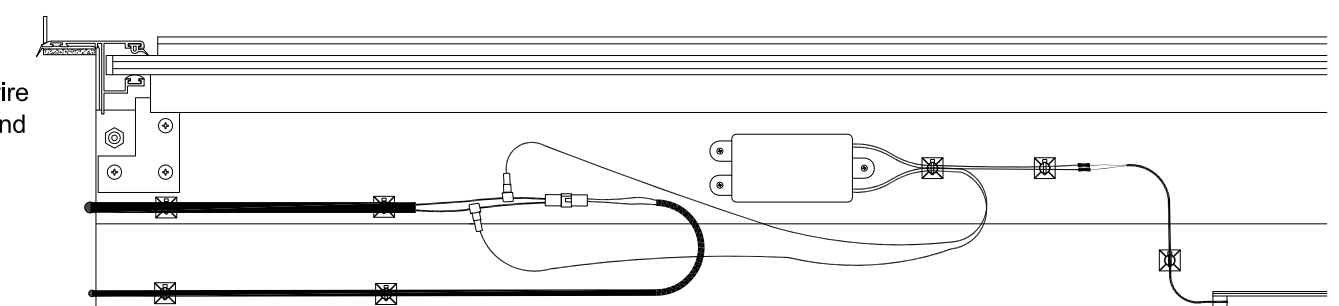
**C**  
Plug motor wire connector into power wire connector.

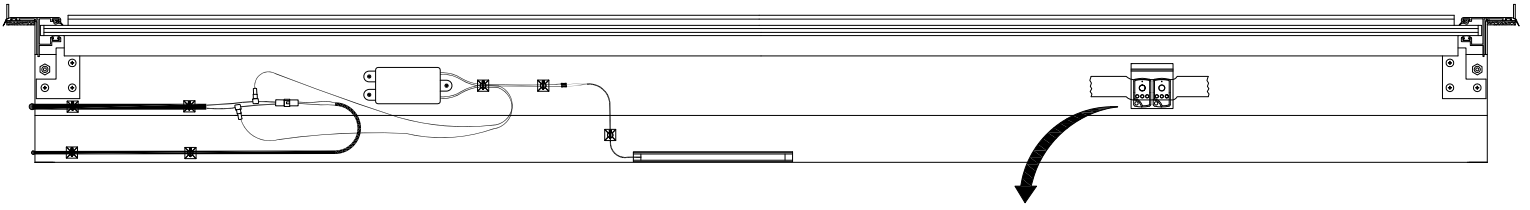


**D**  
Plug light wire connectors into power wire connectors.



**E**  
Position motor wire tighten zip ties and trim.

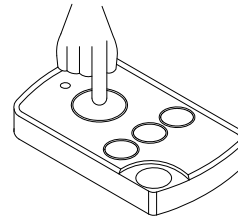




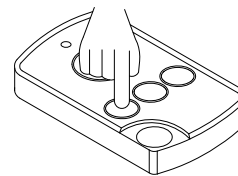
- Remove remotes from housing.

Operating the system:

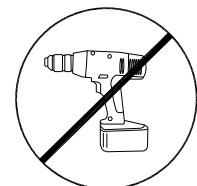
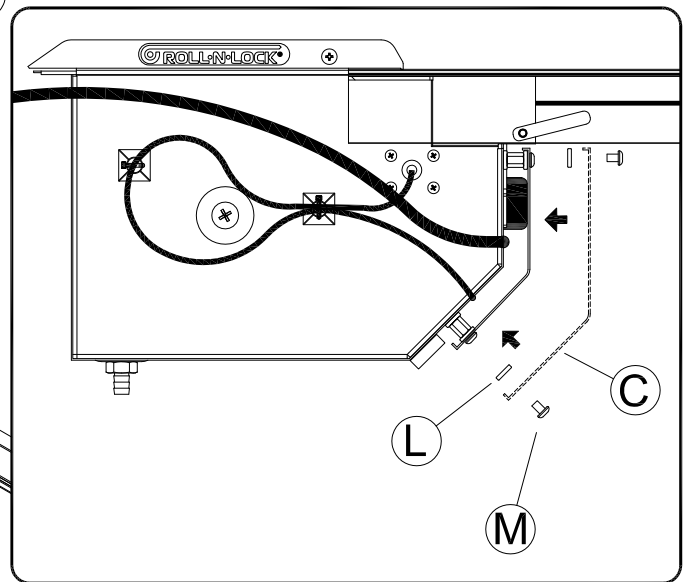
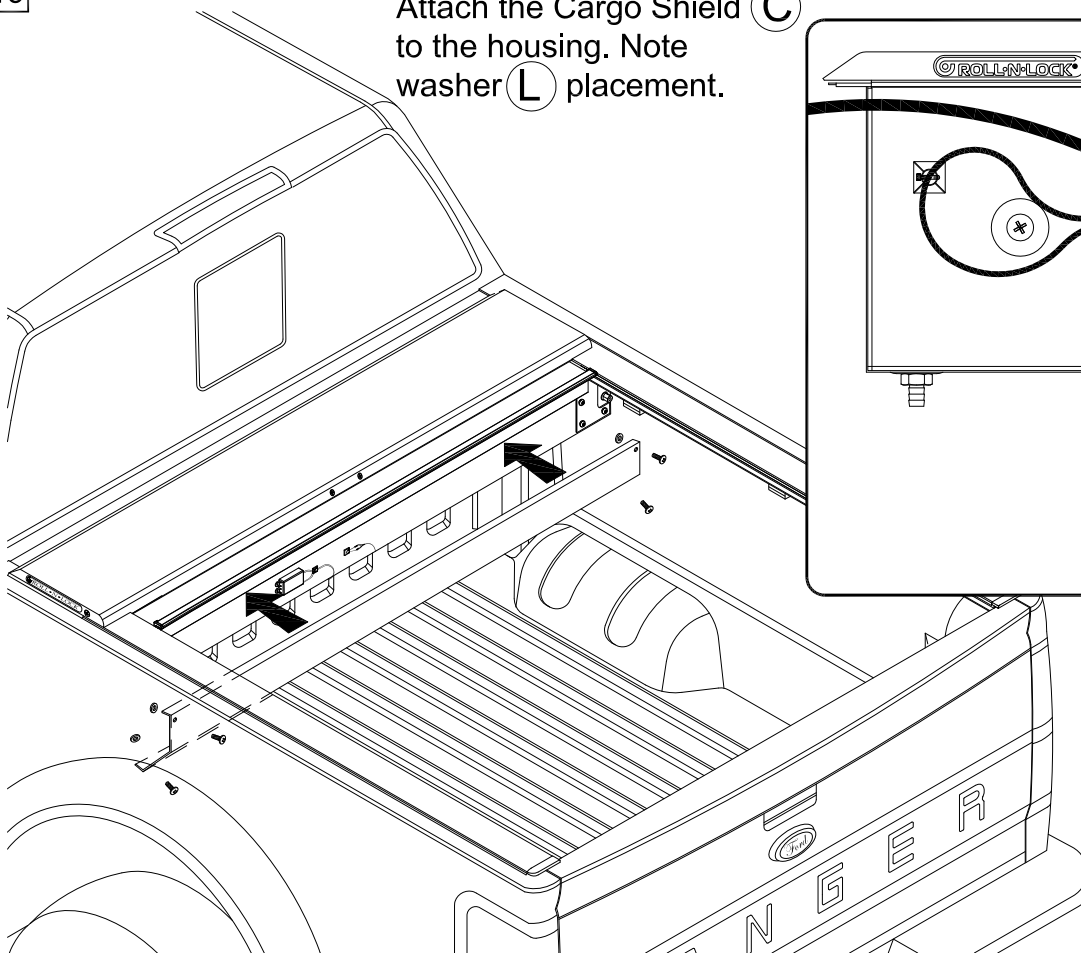
- Push the large button to run cover.
- Push the large button to stop the cover.
- Cover will stop automatically at tailgate and housing.



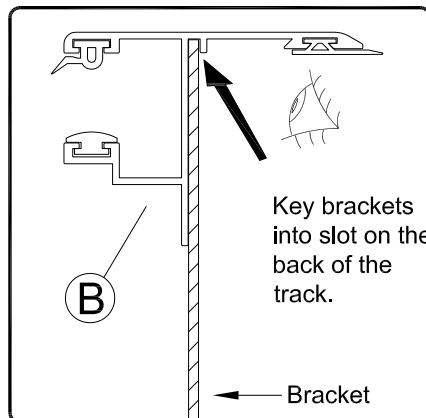
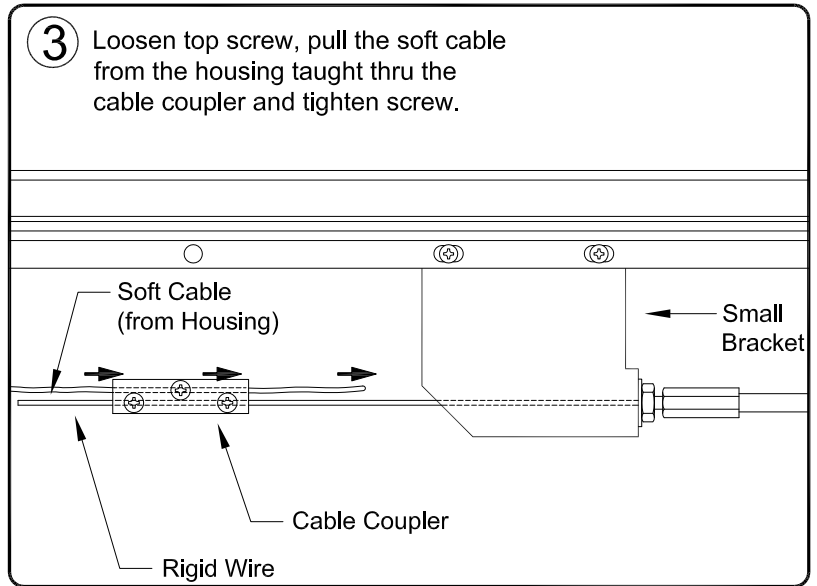
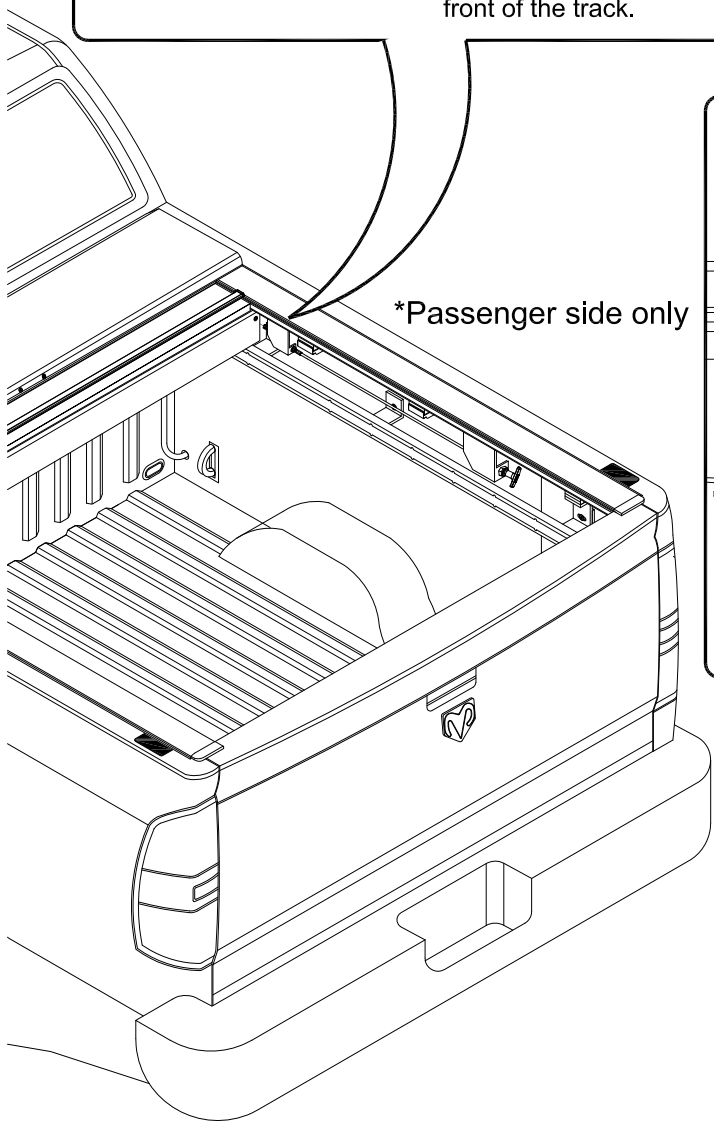
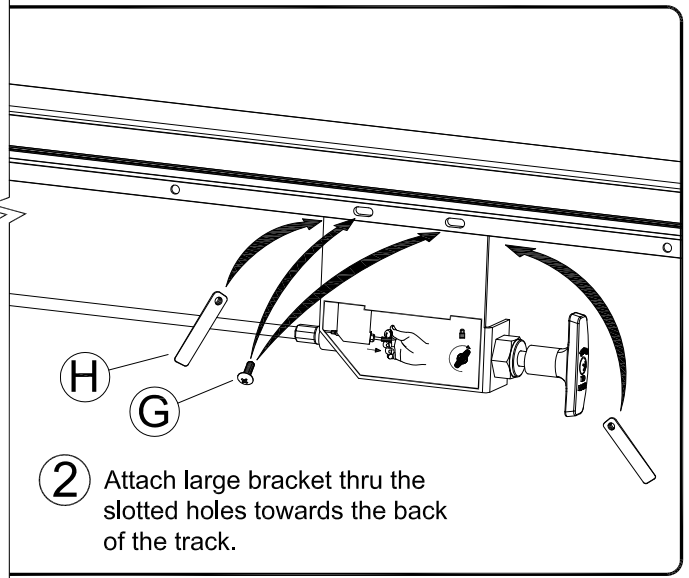
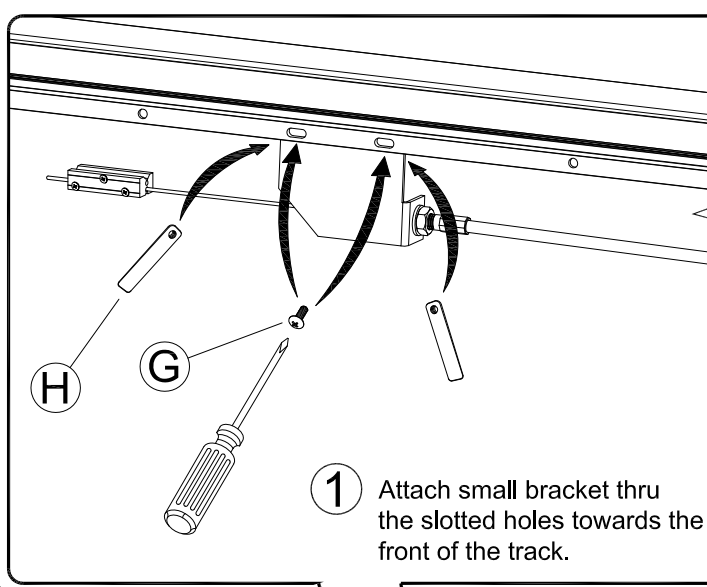
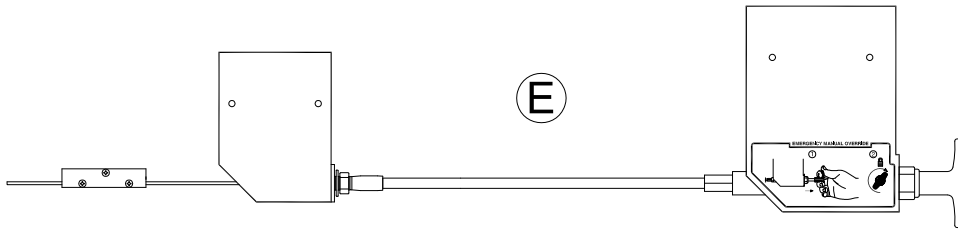
- Push the small left button to turn light on.
- Push the small left button to turn light off.
- Light will automatically turn off in 3 minutes.



Attach the Cargo Shield **(C)** to the housing. Note washer **(L)** placement.

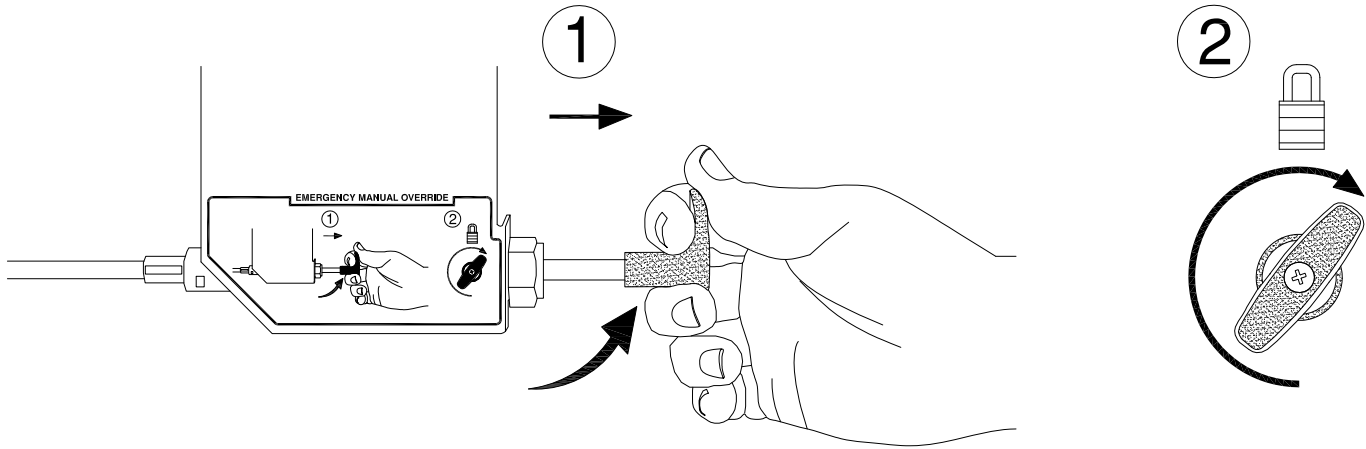


# Override Cable



## Operating the override:

- Use only when the cover is not operating remotely.
- Pull the lever and turn to lock in place, the cover will operate manually.
- Unlock the lever and push back to lock cover.



**ROLL-N-LOCK®**

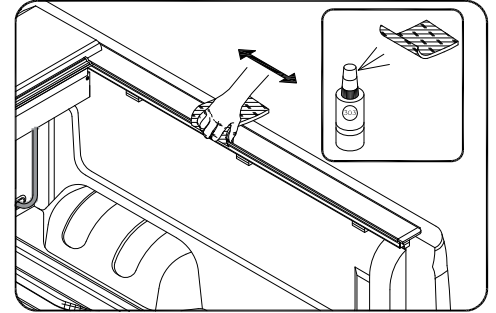
Any questions please call Customer Service at 800-952-7655  
or email [customerservice@rollnlock.com](mailto:customerservice@rollnlock.com)

# TROUBLESHOOTING

Cover drags running forward and back.



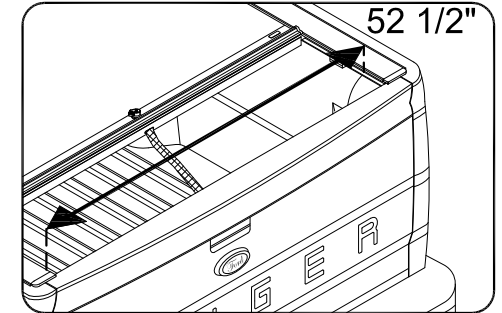
Spray 303<sup>®</sup> on a rag and wipe the top gasket in the Track back and forth.



Cover binds when closing.



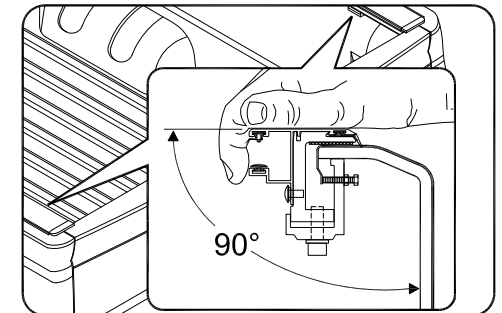
Check Track to Track measurement.



Track tips up.



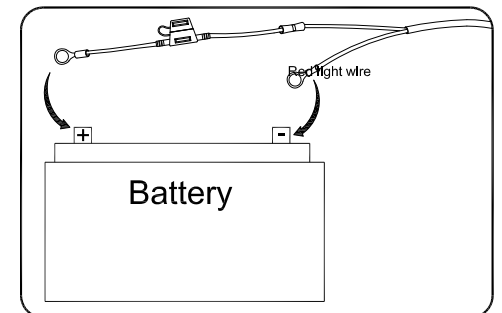
Use angularity bolt to level Track.



Cover does not run.



Check connection at battery.



Light does not work.



Check plug-in connection.

