

INSTALLATION INSTRUCTIONS

REAR LADDER

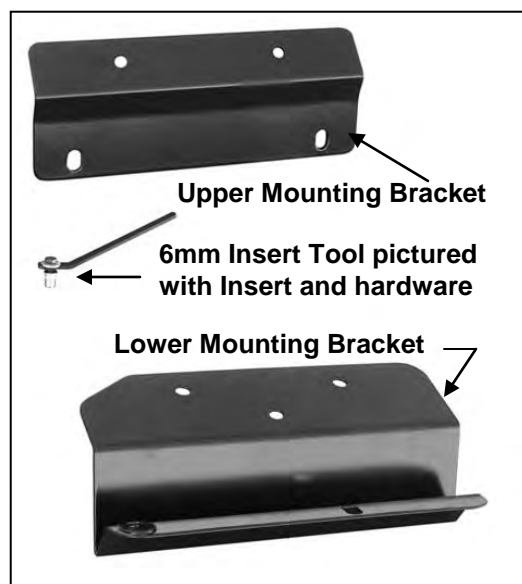
07-10 FJ CRUISER

PART # DZ 760613/DZ 760611



PARTS LIST:

1	Step Ladder
1	Lower Mounting Bracket
1	Upper Mounting Bracket
4	6mm Metal Inserts
1	6mm Insert Tool
4	6-1.00mm x 20mm Hex Bolts
4	6mm Lock Washers
4	6mm ID x 22mm OD x 2mm Flat Washers
5	8-1.25mm x 20mm Hex Bolts
5	8mm Lock Washers
5	8mm Hex Nuts
10	8mm ID x 16mm OD x 1.6mm Flat Washers
2	2.0mm x 278mm x 140mm Adhesive Backed Foam Tape



PROCEDURE:

- 1. REMOVE CONTENTS FROM BOX. VERIFY ALL PARTS ARE PRESENT. READ INSTRUCTIONS CAREFULLY BEFORE STARTING INSTALLATION. DRILLING IS REQUIRED.**
- Select the lower Mounting Bracket. Apply the adhesive backed Foam Tape to the back side of the Lower Mounting Bracket, (surface that will be in contact with the door), to prevent the Mounting Bracket from scratching the finish on the vehicle.
- Open the rear door of the vehicle and position the lower Mounting Bracket onto the bottom corner of the driver's side of the rear door, **(Figure 1)**. The lower Mounting Bracket should be about 2-3/4" back from the corner on the rear door, **(Figure 2)**.
- Using the holes on the Lower Mounting Bracket as a template, hold the Bracket in place and mark the drill location onto the vehicle, **(Figure 2)**. Remove the lower Mounting Bracket and set aside. Drill the marked locations using a 25/64" drill bit. **IMPORTANT!** Any cutting or drilling tool may break or shatter. Government regulations require safety glasses & equipment at all times when cutting or drilling.
- Assemble the Metal Insert Tool assembly as shown in **Figure 3**. Hold the handle and push the insert into the drilled hole until the lip on the insert is tight against the surface on the door. **NOTE:** Insert should fit snug into drilled hole for proper installation. Hold the tool and Insert firmly against the body and tighten the Hex Bolt in the Insert. Continue to tighten the Hex Bolt until the Metal Insert is fully collapsed and locked in place, (threads will be pulled to the top), **(Figure 4)**. Once the Metal Insert is properly installed, remove the Hex Bolt and Tool from the Metal Insert. Repeat this step for second insert installation, **(Figure 5)**.
- Bolt the Lower Mounting Bracket to the bottom of the door with the included (2) 6mm x 20mm Hex Bolts, (2) 6mm Lock Washers and (2) 6mm Flat Washers **(Figure 6)**. Tighten hardware at this time.
- Select the Upper Mounting Bracket. Apply (1) Adhesive Backed Foam Tape to the back/inner side of the Upper Mounting Bracket, (surface that will be in contact with the door), to prevent scratching the finish on the vehicle. Trim away excess Foam Tape.

8. Carefully install the Ladder onto the Lower Mounting Bracket using the Included (3) 8mm x 20mm Hex Bolts, (3) 8mm Lock Washers, (6) 8mm Flat Washers and (3) 8mm Hex Nuts, **(Figure 7)**. Snug but do not tighten hardware at this time.
9. Attach the Upper Mounting Bracket to the Ladder using the included (2) 8mm x 20mm Hex Bolts, (2) 8mm Lock Washers, (4) 8mm Flat Washers and (2) 8mm Hex Nuts, **(Figure 8)**. Snug but do not tighten hardware at this time.
10. Using the holes on the Upper Mounting Bracket as a template, mark the drill location onto the door, **(Figure 9)**. **NOTE:** Before marking the location, make sure the Ladder is vertical, straight and properly lined up with the rear door. Assistance is recommended.
11. Remove the Upper Mounting Bracket from the Ladder and set aside. Drill the marked locations with a 25/64" drill bit as per **Step 4, (Figure 10)**.
12. Repeat **Step 5** for Insert Installation for the Upper Mounting Bracket.
13. Bolt the Upper Mounting Bracket to the top of the door using the included (2) 6mm x 20mm Hex Bolts, (2) 6mm Lock Washers, and (2) 6mm Flat Washers, **(Figure 11)**. Do not tighten hardware at this time. Bolt the top of the Ladder to the Upper Mounting Bracket using the hardware listed in **Step 9**. Check that the Ladder is straight and tighten all hardware at this time.
14. Do periodic inspections to the installation to make sure that all hardware is secure and tight.

To protect your investment, wax this product after installing. Regular waxing is recommended to add a protective layer over the finish. Do not use any type of polish or wax that may contain abrasives that could damage the finish.

For stainless steel: Aluminum polish may be used to polish small scratches and scuffs on the finish. Mild soap may be used also to clean the Ladder and Brackets.

For gloss black finishes: Mild soap may be used to clean the Ladder and Brackets.

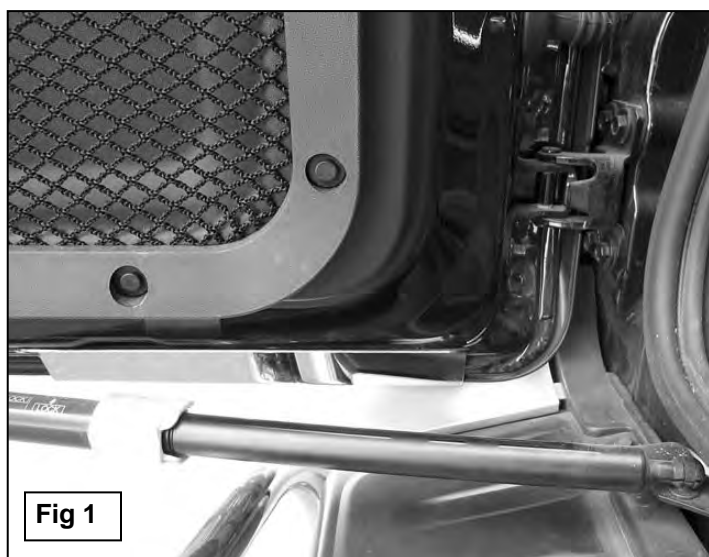


Fig 1

Use the Lower Mounting Bracket as a template to determine location to drill for threaded inserts

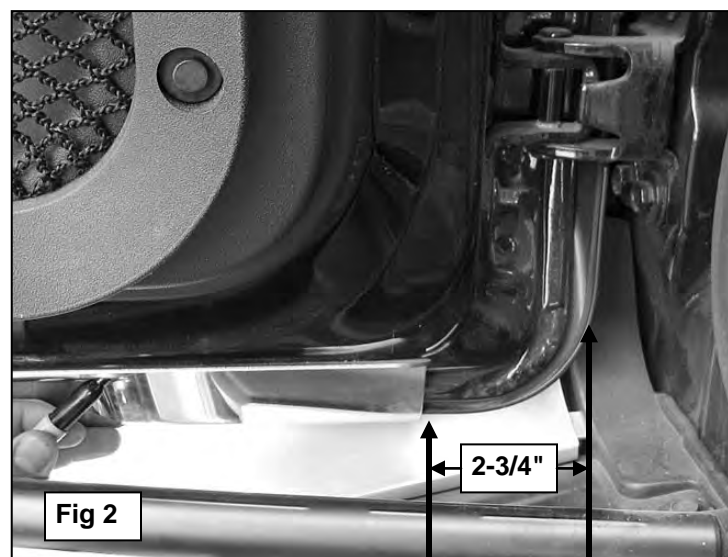
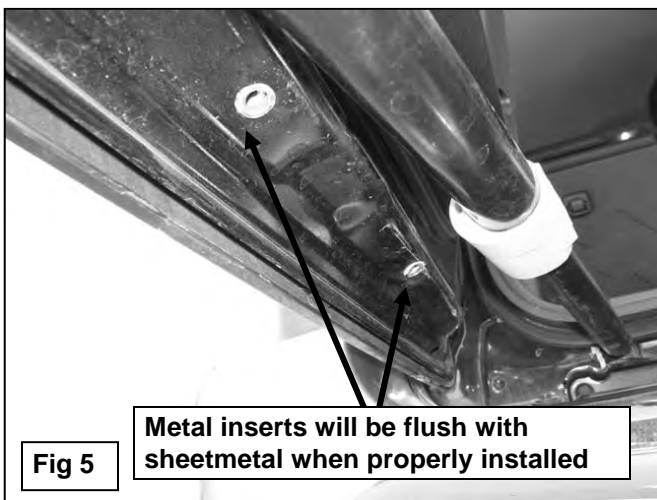
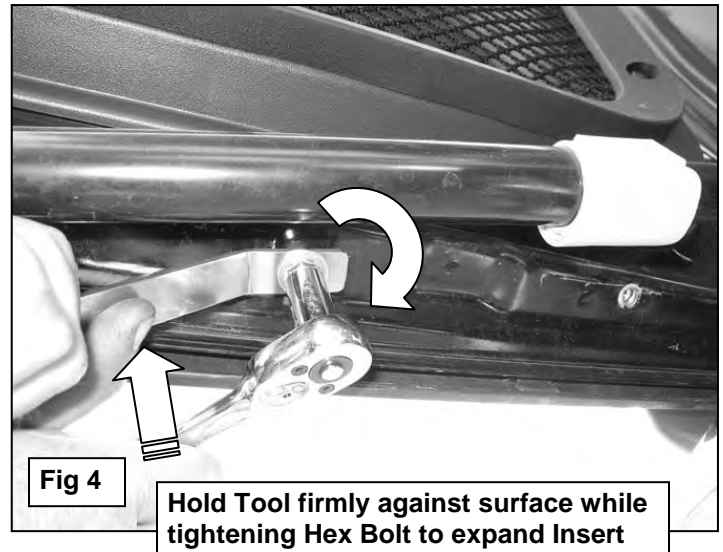
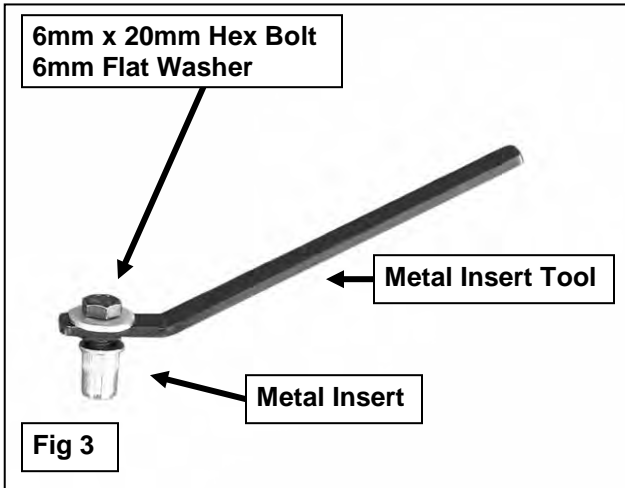


Fig 2

Mark location with Bracket approximately 2-3/4" from the vertical edge of rear door



- (2) 6mm x 20mm Hex Bolts
- (2) 6mm Lock Washers
- (2) 6mm Flat Washers

