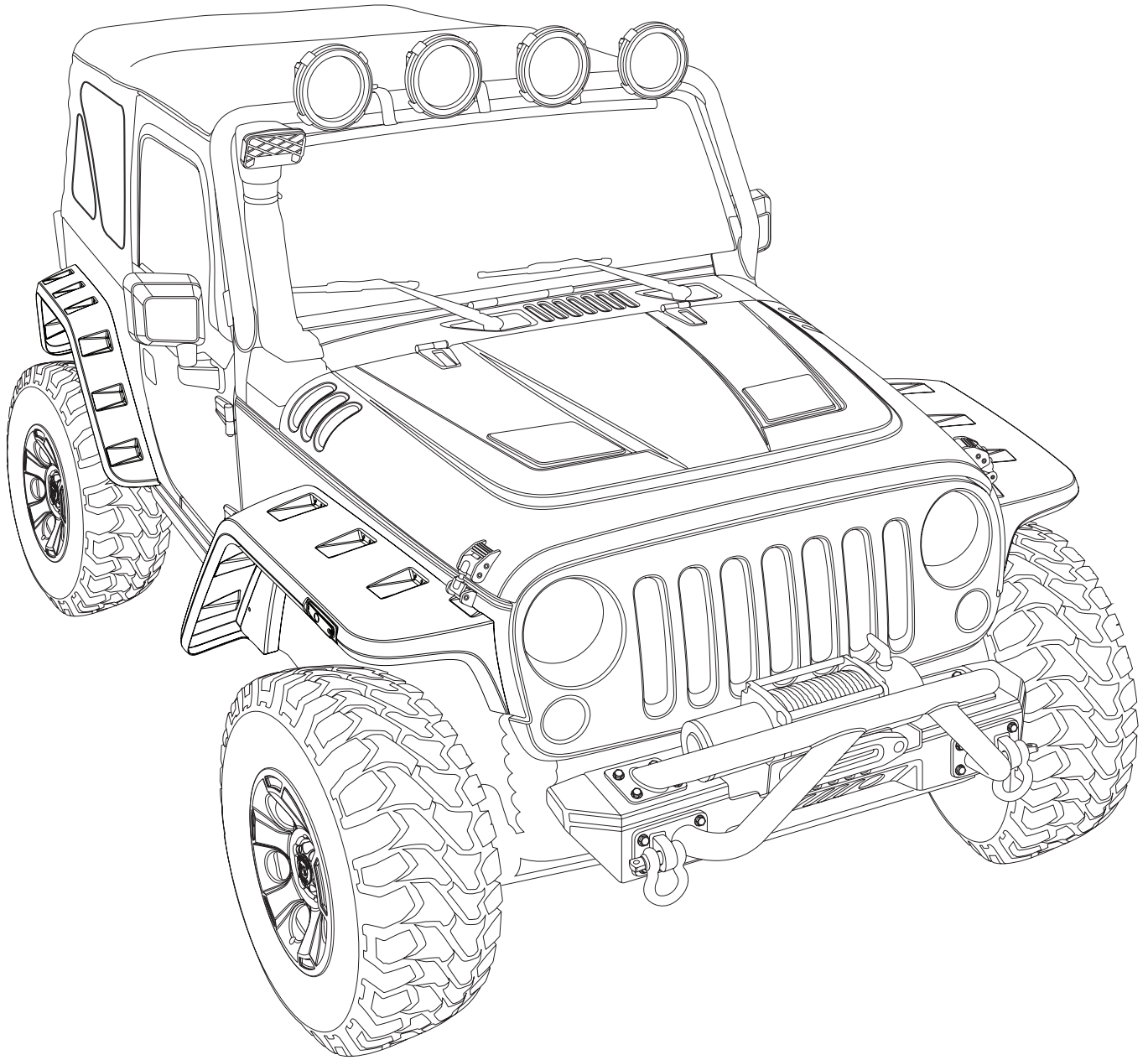




OMIX-ADA, Inc.

11640.09
11640.10
11640.25
11640.26

Hurricane Flat Fender Flares PATENT NO D712,324



NOTICE

Rugged Ridge Hurricane Fender Flares (11640.25/26) will accept standard paints and the TPO material can be sanded.

For that "Showroom Finish" we recommend that a qualified paint shop be contracted as the process will require a significant amount of preparation to be glass smooth. It is not uncommon to invest **8+ hours** in prep time prior to painting. As is the case with any paint project, proper preparation will give the best results.

OMIX-ADA® TECHNICAL SUPPORT

PHONE: M-F 8am - 5pm EST 1-800-449-6649 | **EMAIL:** techsupport@omix-ada.com

FOR WARRANTY INFORMATION VISIT: www.Omix-Ada.com

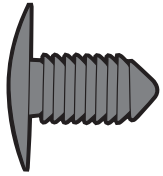


OMIX-ADA, Inc.

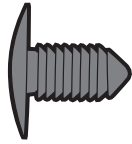


11640.09
11640.10
11640.25
11640.26

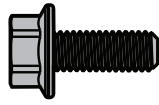
Hurricane Flat Fender Flares



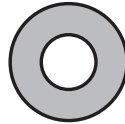
10mm Shield Retainer x 24



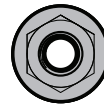
8mm Shield Retainer x 2



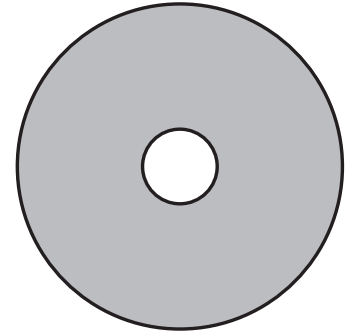
M6 Flange Bolt x 26



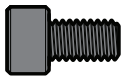
16mm Washer x 12



M6 Nut x 26



45mm Washer x 12



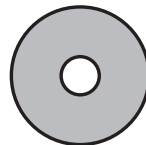
Decorative Black Bolt x 56



Black Nut x 56



Nylon Nut x 4



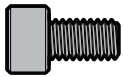
20mm Washer x 4



Long M4 Bolt x 4



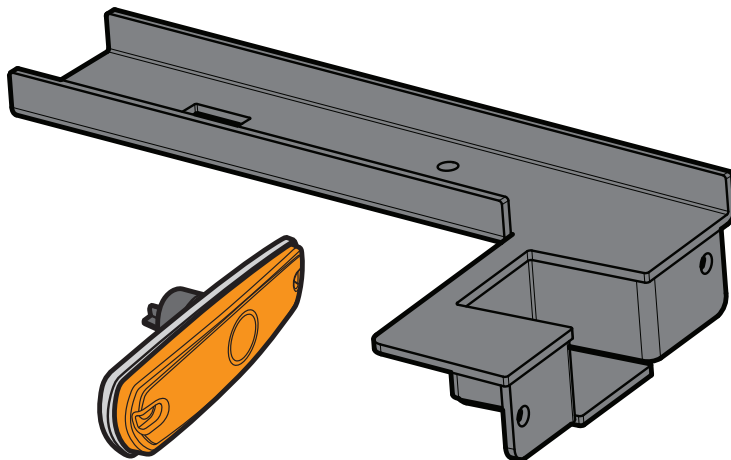
Zip Tie x 2



Decorative Stainless Steel Bolt x 56

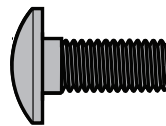


Stainless Steel Nut x 56

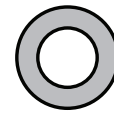


Side Marker Light x 2

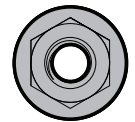
Support Bracket x 2



M8 Carriage Bolt x 2



16mm Washer x 2



M8 Nut x 2



M4 Nut x 4



9mm Washer x 4

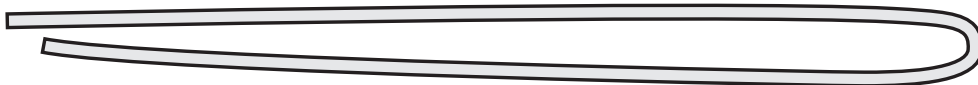


Short M4 Bolt x 4

Electrical components for use with 11640.09 (EU Version) only



Black Wire x 2



White Wire x 2



Butt Connector x 4

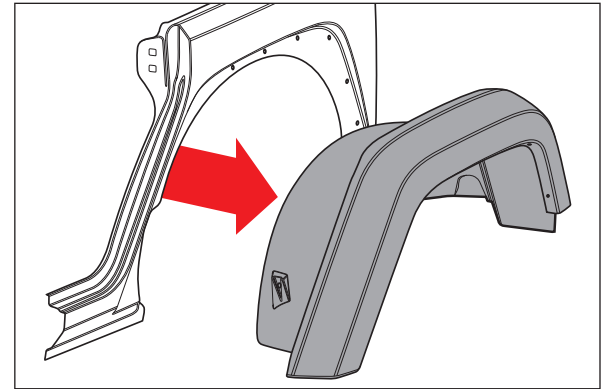
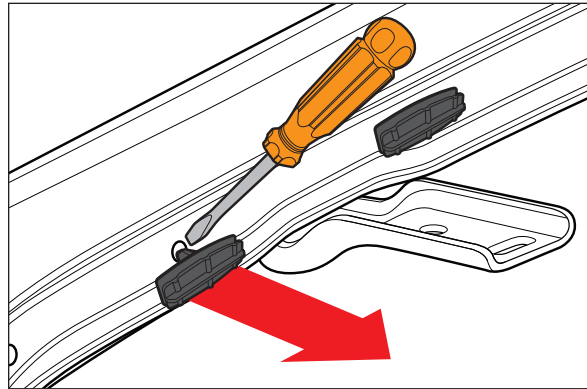
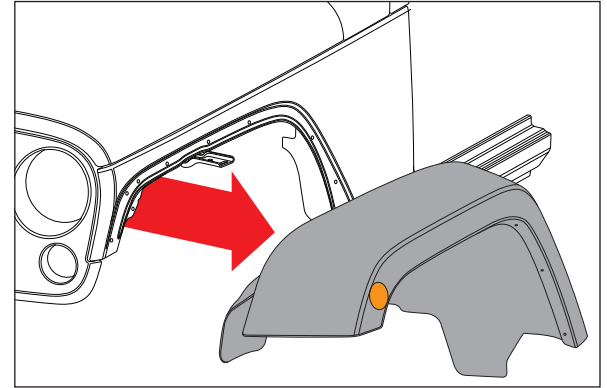


Female Terminal x 4

Hurricane Flat Fender Flares

1. Remove front and rear factory fender flare, flare support, and wheel liner.

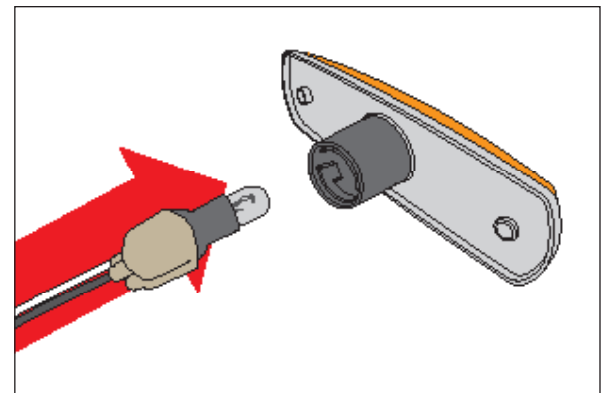
Remove factory fasteners with flat head screw driver or similar.



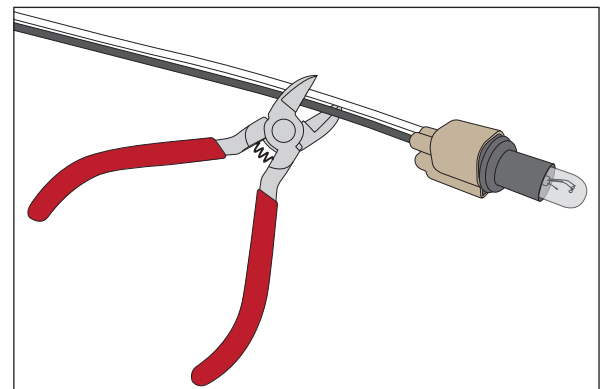
NOTICE EU Version (11640.09) skip to step 3

2. Remove bulb from OE side marker and insert into back of supplied side marker light.

NOTICE US Version (11640.10) now skip to step 7



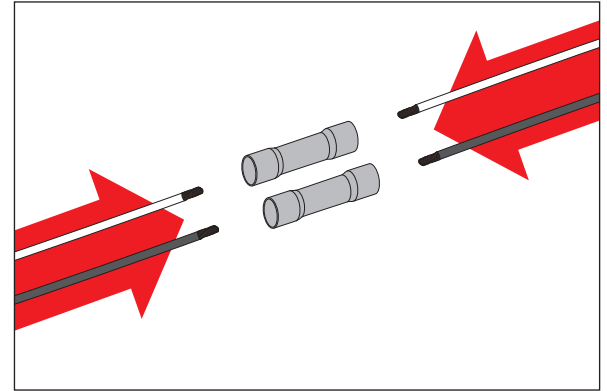
3. Cut side marker off 2 inches from base of light fixture.



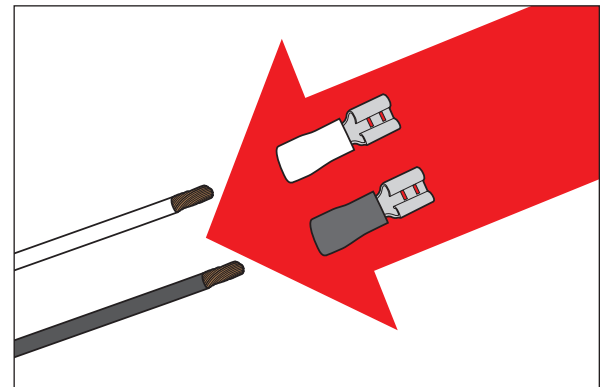
Hurricane Flat Fender Flares

4. Strip 1/4" from wires previously cut. Strip 1/4" from both ends from wires supplied in hardware kit.

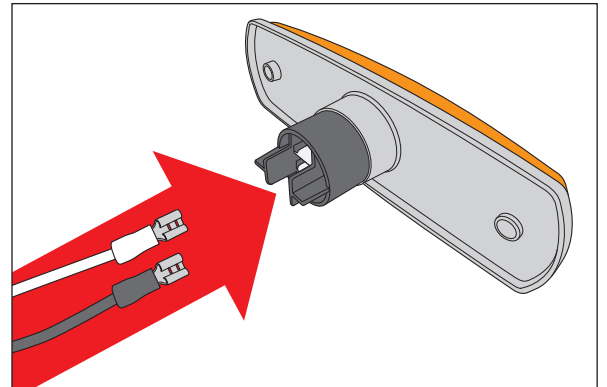
Splice wires cut using butt connectors and wires supplied.



5. Attach and crimp female terminals to wires.



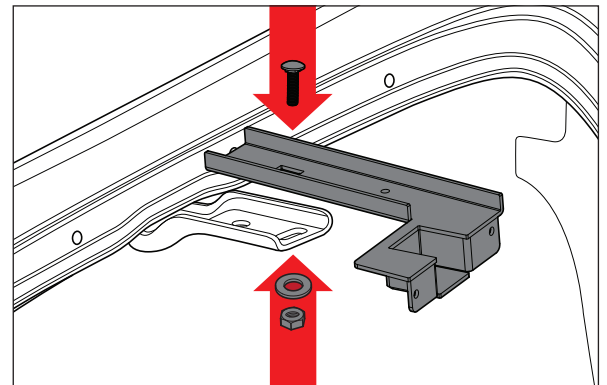
6. Insert female terminals into side marker lights supplied.



7. Attach support arm to fender with M8 carriage bolt, 16mm washer, and M8 nut.

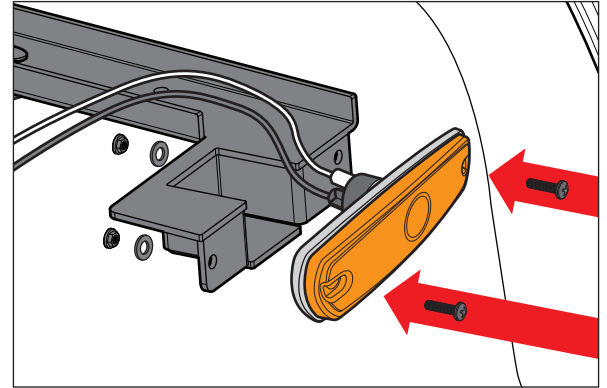
NOTICE

Do not tighten. Support Arm should point forward.

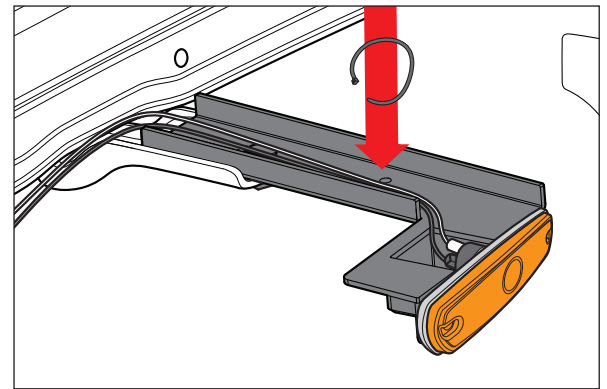


Hurricane Flat Fender Flares

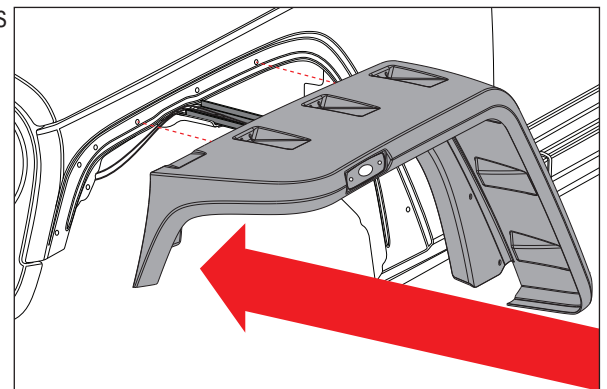
8. Attach side marker light to support arm with M4 bolt, 9mm washer, and M4 nut.



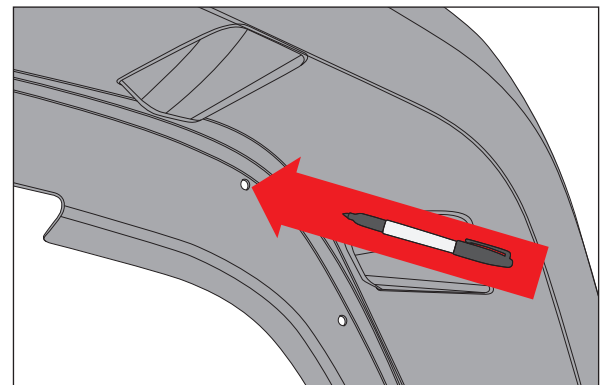
9. Loosely secure wires to support arm with zip tie and uninstall side marker.



10. Loosely fasten flare to side of fender using two M6 flange bolts and M6 nuts.



11. Mark your fender using hole shown as guide. Remove fender flare after fender is marked.

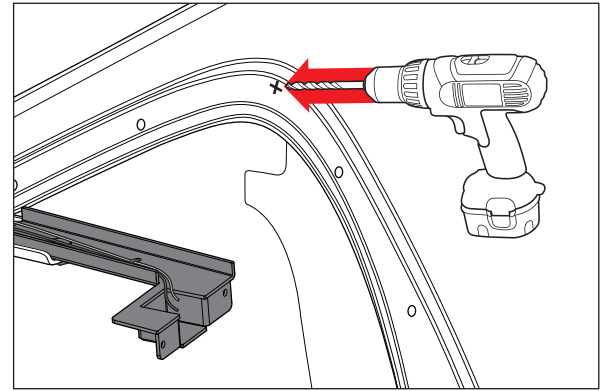


Hurricane Flat Fender Flares

12. Using 11/32" drill bit, drill into fender where previously marked.

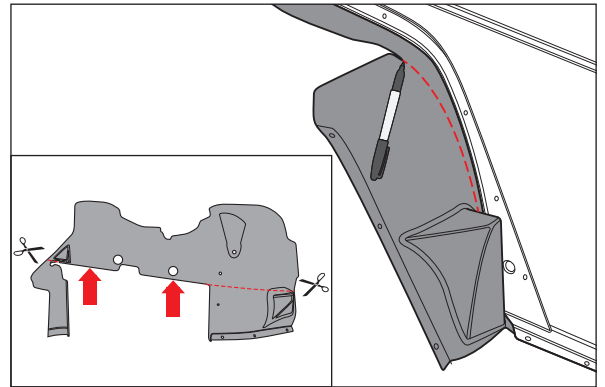
NOTICE Paint edge of cut holes to prevent rust.

CAUTION Cutting/Sharp Edge Hazard: Cut carefully using gloves and eye protection.



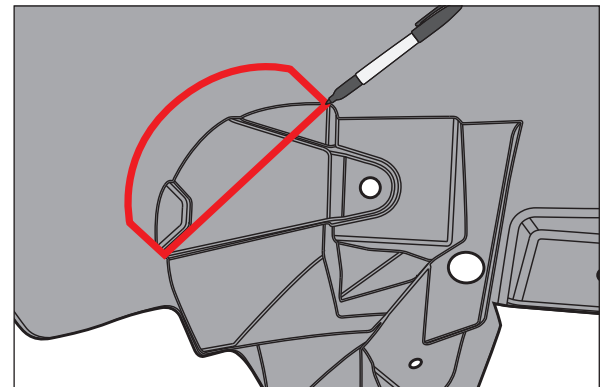
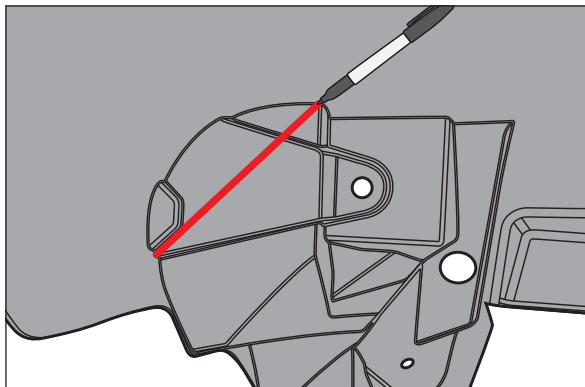
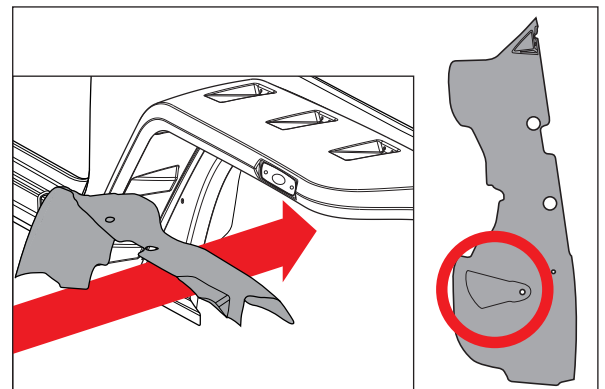
13. Attach front wheel liner. Mark a line that follows edge of fender. Cut line marked. **If you do not have a Rugged Ridge Snorkel skip to Step 15.**

CAUTION Cutting/Sharp Edge Hazard: Cut carefully using gloves and eye protection.



14. If you have a Rugged Ridge Snorkel, mark passenger side wheel liner where indicated. Carefully cut area marked.

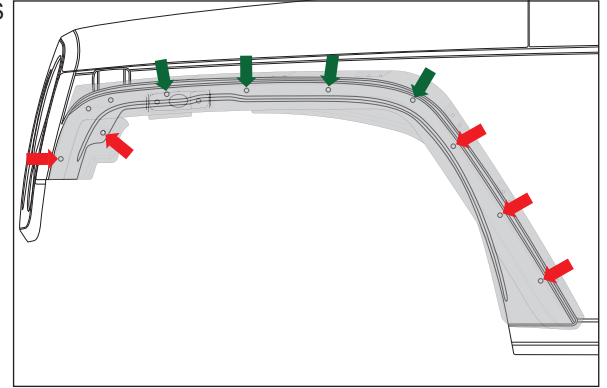
CAUTION Cutting/Sharp Edge Hazard: Cut carefully using gloves and eye protection.



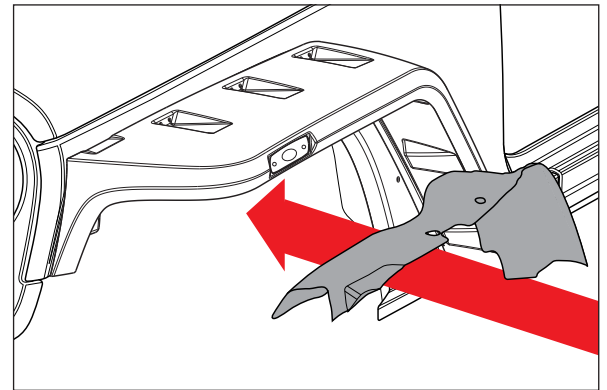
Hurricane Flat Fender Flares

15. Secure flare with M6 flange bolts, 45mm washers, and M6 nuts where **Green Arrows** indicate.

Secure M6 flange bolts, 16mm washers, and M6 nuts where **Red Arrows** indicate.



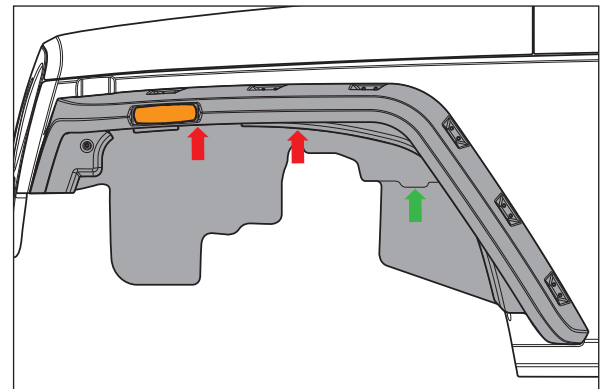
16. Place and position cut front liner in wheel well.



17. Use factory screws previously removed and 45mm washers to secure wheel liner where **Red Arrows** indicate.

Replace factory nut where **Green Arrow** indicates.

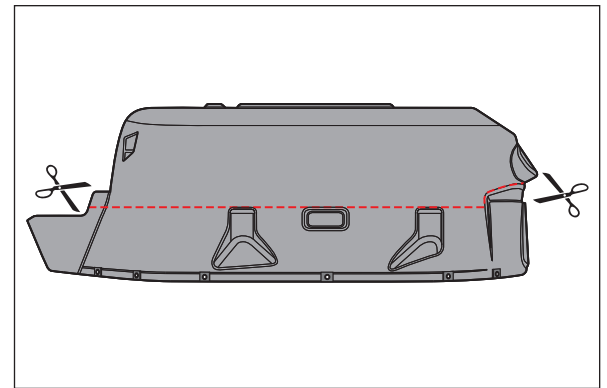
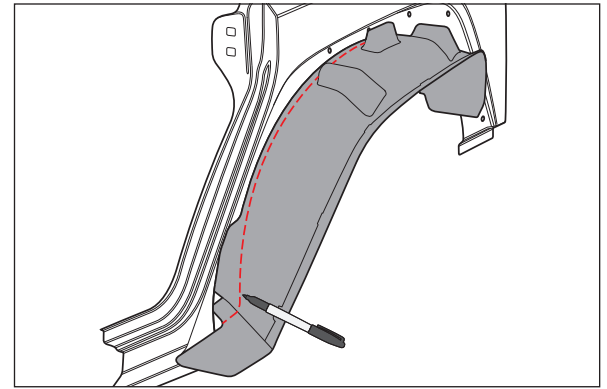
Reinstall side marker and tighten wire zip tie.



Hurricane Flat Fender Flares

18. Attach rear wheel liner. Mark a line that follows edge of fender. Cut line marked. **2 Door JK Owners Skip to Step 19**

CAUTION Cutting/Sharp Edge Hazard: Cut carefully using gloves and eye protection.

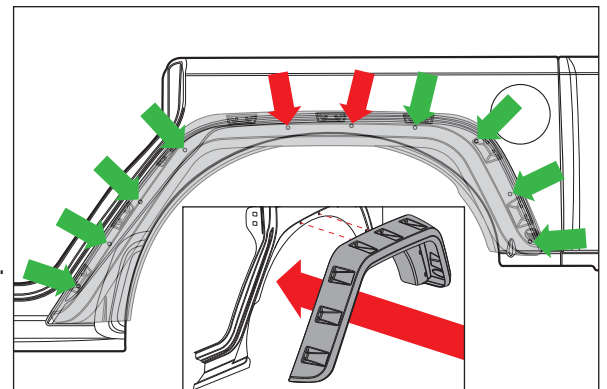


19. Attach and tighten Hurricane Flare with M6 flange bolts, 16mm washers, and M6 nuts where **Red Arrows** indicate.

Secure rest of flare with large push fasteners where **Green Arrows** indicate. **Skip to Step 20**

NOTICE If 10mm shield retainers do not go into designated holes, use 3/8" drill bit to widen holes designated by **Green Arrows**. Paint edge of cut holes to prevent rust.

CAUTION Cutting/Sharp Edge Hazard: Cut carefully using gloves and eye protection.



Hurricane Flat Fender Flares

20. Insert nylon nuts in two holes indicated.

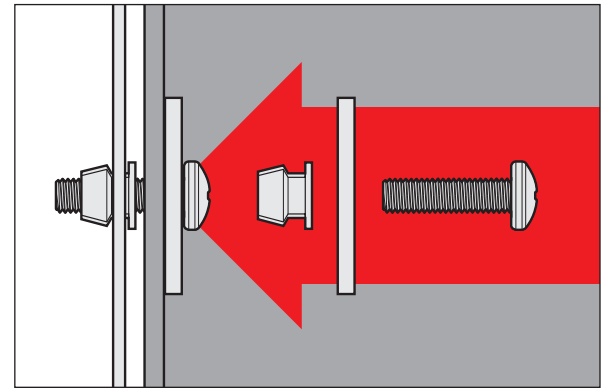
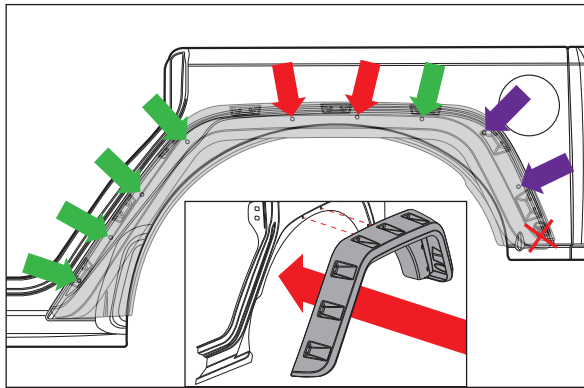
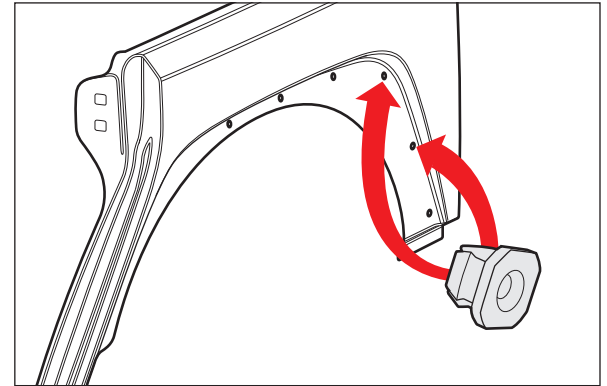
Attach Hurricane Flare with M6 flange bolts, 16mm washers, and M6 nuts where **Red Arrows** indicate.

Figure 2 shows how to secure flare with M4 bolts, 20mm washers, and nylon nuts indicated by **Purple Arrows** found in **Figure 1**.

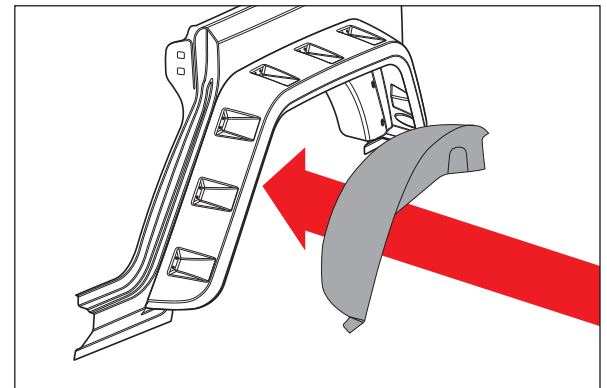
Secure remaining flare with 10mm shield retainers indicated by **Green Arrows**.

NOTICE If 10mm shield retainers do not go into designated holes, use 3/8" drill bit to widen holes designated by **Green Arrows**. Paint edge of cut holes to prevent rust.

CAUTION Cutting/Sharp Edge Hazard: Cut carefully using gloves and eye protection.

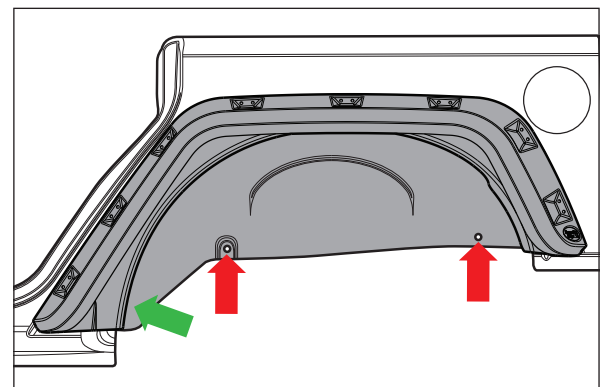


21. Place rear wheel liner into wheel well.



22. Secure wheel liner using M6 flange bolts, 16mm washers, and M6 nuts in locations indicated by **Red Arrows**.

Secure wheel liner with 8mm shield retainer indicated by **Green Arrow**.



Hurricane Flat Fender Flares

23. Attach your choice of either black or stainless steel decorative bolts into double pockets.

