



OMIX-ADA, Inc.

460 HORIZON DR. SUITE 400 | SUWANEE, GA 30024 | PHONE: 770-614-6101 | FAX: 844-270-0593 | www.Omix-ADA.com

4 Inch, 2007-2018 JEEP WRANGLER JK - INCLUDING RUBICON

Congratulations on your purchase of a Rugged Ridge™ suspension kit. To fully enjoy and understand this product we ask that you take a few moments to read through these instructions. Before beginning the installation, read these instructions and the enclosed driver's "WARNING NOTICE" thoroughly and completely. Also affix the "WARNING" decal in passenger compartment in clear view of all occupants. If any of these items are missing from this instruction packet, do not proceed with installation, but call Omix-Ada to obtain needed items. If you have any questions or reservations about installing this lift kit, call Omix-Ada at 770-614-6101 for Technical Assistance or Customer Service departments.

A FEW WORDS ABOUT SAFETY:

Your safety and the safety of other motorists is very important. As the owner of a modified suspension vehicle you are the person choosing the combination of suspension, wheels, tires and drive train that best fit your intended use. Likewise, you are the person responsible for the safety and legality of the vehicle you modify. In modifying your vehicle's suspension, balance your off-road capabilities against how the vehicle may actually be used off-road and on-road.

It is not practical or possible to warn about all hazards associated with modifying your suspension for improved off road capabilities. To help you make informed decisions about safety, we have provided certain information in the form of "Notices", "Cautions", and "Warnings". This information alerts you to potential hazards that could hurt you or others.

Notice: This is a caution against anything which may cause damage to the vehicle or its equipment if the caution is ignored. The Notice includes information about how you can avoid or reduce those risks.

Caution: This is a signal telling you that you or others CAN BE HURT if you don't follow the instructions. The Caution includes information about how you can avoid those risks

Warning: This is a signal telling you that you CAN be KILLED or SERIOUSLY HURT if you don't follow the Warning. The Warning includes information about what you must or must not do in order to reduce the risk of injury to yourself and others.

The following Warning label is included with your Rugged Ridge™ suspension kit and should be placed on the vehicle visor or other conspicuous location after installation:



WARNING: An alignment must be performed after installing this kit. Failure to do so will cause dangerous driving conditions and premature tire wear.

CAUTION: It is suggested that a thread penetrating spray is used on all bolts and nuts to aid in removal.

Always use protective eye wear and gloves when working on suspension components.

Torque all fasteners to recommended factory settings. Do not over torque fasteners, premature failure may occur.

Re-Torque all fasteners after 100 miles of driving.

! Warning: Improper use of air and power tools can cause serious injury. Familiarize yourself with tool manufacturers warnings and instructions before use. Always wear approved safety glasses.



OMIX-ADA, Inc.

460 HORIZON DR. SUITE 400 | SUWANEE, GA 30024 | PHONE: 770-614-6101 | FAX: 844-270-0593 | www.Omix-ADA.com

4 Inch, 2007-2018 JEEP WRANGLER JK - INCLUDING RUBICON

Engineered for all 2WD & 4WD, 2-Door, 4-Door models
2007-2018 Jeep Wrangler JK - Including Rubicon

#RK941 4-Door Models

#RK905 2-Door Models

CAUTION: MAKE SURE YOU HAVE THE CORRECT LIFT FOR YOUR VEHICLE:

Double check the Year, Make, Model, Lift Height and KIT Part Numbers.

NOTE: Prior to beginning the installation, OPEN the Boxes and CHECK the Included Components Compared to the Parts Breakdown. Check all parts and hardware in the box with the parts list below. Be sure you have all needed parts and know where they install. IF you find a packaging error, contact OMIX-ADA directly. Do not contact the dealer where the system was originally purchased. You will need the control number from each box when calling; this number is located at the bottom of the part number label and to the right of the bar code.

TECHNICAL SUPPORT: 1-800-449-6649 • **TECH CONCERNS EMAIL:** webmaster@omixsupport.com

How to Read the Kit Breakdown Charts:

The 'K KIT BREAKDOWN' lists the Part Numbers, Quantities & Part Description of the Boxes that are included in the K KIT. The 'KIT BREAKDOWN' lists Part Numbers, Quantities & Part Description of the Individual Components & Hardware Bags that are included in Each Box. The 'HARDWARE BREAKDOWN' lists the Part Numbers, Quantities & Part Description of the Individual Components.

K KIT BREAKDOWN					
Kit Part Number RK941 (4-Door Models ONLY)			Kit Part Number RK905 (2-Door Models ONLY)		
Part Number	Qty.	Part Description	Part Number	Qty.	Part Description
560	1	Coil Springs, Front	560	1	Coil Springs, Front
561	1	Coil Springs, Rear	562	1	Coil Springs, Rear
5717	1	Track Bar, Track Bar Brackets, Brake Hose Brackets & Sway Bar Links	5717	1	Track Bar, Track Bar Brackets, Brake Hose Brackets & Sway Bar Links
5026	1	Hardware Bags	5026	1	Hardware Bags
K KIT BREAKDOWN					
Kit Part Number R560			Kit Part Number R560		
Part Number	Qty.	Description	Part Number	Qty.	Description
780121	2	Coil Spring, Front	780121	2	Coil Spring, Front
Kit Part Number R561			Kit Part Number R562		
Part Number	Qty.	Description	Part Number	Qty.	Description
780123	2	Coil Spring, Rear 4-Door Models Only	780122	2	Coil Spring, Rear 2-Door Models Only
Kit Part Number R5717			Kit Part Number R5717		
Part Number	Qty.	Description	Part Number	Qty.	Description
77-5704F	1	Hardware Bag	77-5704F	1	Hardware Bag
55-50-5704	1	Brkt, Rear Track Bar	55-50-5704	1	Brkt, Rear Track Bar
5026	1	Component Box	5026	1	Component Box
PR039-11	1	Track Bar, Front	PR039-11	1	Track Bar, Front
716244	2	Sway Bar Link, Rear	716244	2	Sway Bar Link, Rear
88-5717	1	Instruction Bag	88-5717	1	Instruction Bag
Kit Part Number R84016			Kit Part Number R84016		
Part Number	Qty.	Description	Part Number	Qty.	Description
01-85139	2	Shock Cylinder	01-85139	2	Shock Cylinder
01-85292	2	Shock Cylinder	01-85292	2	Shock Cylinder
77-87033	1	Hardware Bag, Shocks	77-87033	1	Hardware Bag, Shocks



OMIX-ADA, Inc.

460 HORIZON DR. SUITE 400 | SUWANEE, GA 30024 | PHONE: 770-614-6101 | FAX: 844-270-0593 | www.Omix-ADA.com

4 Inch, 2007-2018 JEEP WRANGLER JK - INCLUDING RUBICON

HARDWARE BAG BREAKDOWN						
Kit Part Number	5026			Kit Part Number	5026	
Part Number	Qty.	Description		Part Number	Qty.	Description
77-5712	1	Hardware Bag, Sway Bar Links		77-5712	1	Hardware Bag, Sway Bar Links
77-5717	1	Hardware Bag		77-5717	1	Hardware Bag
77-5704B	1	Hardware Bag		77-5704B	1	Hardware Bag
77-5717A	1	Hardware Bag		77-5717A	1	Hardware Bag
Kit Part Number	77-5712			Kit Part Number	77-5712	
Part Number	Qty.	Description		Part Number	Qty.	Description
12SW	4	Flat Washer, 1/2" SAE		12SW	4	Flat Washer, 1/2" SAE
12F5JN	2	Nut, 1/2" Fine Jam		12F5JN	2	Nut, 1/2" Fine Jam
12F8SN	2	Nut, 1/2" Fine Stover		12F8SN	2	Nut, 1/2" Fine Stover
Kit Part Number	77-5717			Kit Part Number	77-5717	
Part Number	Qty.	Description		Part Number	Qty.	Description
12C8SN	2	Nut, 1/2" Stover		12C8SN	2	Nut, 1/2" Stover
12SW	2	Flat Washer, 1/2" SAE		12SW	2	Flat Washer, 1/2" SAE
12X1C5CS	2	Bolt, 1/2" x 1" Coarse		12X1C5CS	2	Bolt, 1/2" x 1" Coarse
14X12STB	2	Bolt, 1/4" x 1/2" Self-Tapping		14X12STB	2	Bolt, 1/4" x 1/2" Self-Tapping
916C8SN	1	Nut, 9/16" Stover		916C8SN	1	Nut, 9/16" Stover
916SW	1	Flat Washer, 9/16" SAE		916SW	1	Flat Washer, 9/16" SAE
916X314C8CS	1	Bolt, 9/16" x 3-1/4" Coarse		916X314C8CS	1	Bolt, 9/16" x 3-1/4" Coarse
Kit Part Number	77-5704B			Kit Part Number	77-5704B	
Part Number	Qty.	Description		Part Number	Qty.	Description
14X34C5CS	4	Bolt, 1/4" x 3/4" Coarse		14X34C5CS	4	Bolt, 1/4" x 3/4" Coarse
14SW	4	Flat Washer, 1/4" SAE		14SW	4	Flat Washer, 1/4" SAE
14C5NN	4	Nut, 1/4" Nyloc		14C5NN	4	Nut, 1/4" Nyloc
14ADC	2	Adel Clamp		14ADC	2	Adel Clamp
14X12STB	4	Bolt, 1/4" x 1/2" Self-Tapping		14X12STB	4	Bolt, 1/4" x 1/2" Self-Tapping
Kit Part Number	77-5717A			Kit Part Number	77-5717A	
Part Number	Qty.	Description		Part Number	Qty.	Description
55-21-5704	1	Brkt, Brake Hose, Rear Driver Side		55-21-5704	1	Brkt, Brake Hose, Rear Driver Side
55-22-5704	1	Brkt, Brake Hose, Rear Passenger Side		55-22-5704	1	Brkt, Brake Hose, Rear Passenger Side
55-33-5704	1	Brkt, Brake Hose, Front Driver Side		55-33-5704	1	Brkt, Brake Hose, Front Driver Side
55-34-5704	1	Brkt, Brake Hose, Front Passenger Side		55-34-5704	1	Brkt, Brake Hose, Front Passenger Side
26-5704	2	Eccentric Cam Bolt Assembly		26-5704	2	Eccentric Cam Bolt Assembly
55-13-5704	2	Spacer, Sway Bar Link Front		55-13-5704	2	Spacer, Sway Bar Link Front
01-5710	2	90 Degree Swivel		01-5710	2	90 Degree Swivel
24-5704	2	Sleeve, 3/4" OD x 1.535" Long		24-5704	2	Sleeve, 3/4" OD x 1.535" Long
01-60418	2	Poly Bushing, 3/4" OD x 1-7/16" Long		01-60418	2	Poly Bushing, 3/4" OD x 1-7/16" Long
Kit Part Number	77-87033			Kit Part Number	77-87033	
Part Number	Qty.	Description		Part Number	Qty.	Description
01-60418	4	Poly Bushing, 3/4" OD x 1-7/16" Long		01-60418	4	Poly Bushing, 3/4" OD x 1-7/16" Long
24-5704	4	Sleeve, 3/4" OD x 1.535" Long		24-5704	4	Sleeve, 3/4" OD x 1.535" Long
141991	2	Washer Pack, 141991		141991	2	Washer Pack, 141991
01-60471	4	Poly Bushing, Stem		01-60471	4	Poly Bushing, Stem
38F5N	2	Nut, 3/8" Fine		38F5N	2	Nut, 3/8" Fine
01-60424	4	Poly Bushing		01-60424	4	Poly Bushing



OMIX-ADA, Inc.

460 HORIZON DR. SUITE 400 | SUWANEE, GA 30024 | PHONE: 770-614-6101 | FAX: 844-270-0593 | www.Omix-ADA.com

4 Inch, 2007-2018 JEEP WRANGLER JK - INCLUDING RUBICON

Step	Part Number	Qty. PER Kit	Description	New Attaching Hardware	Qty. PER Bracket	Hardware Bag Number
7	26-5704	2	Eccentric Cam Bolt Assembly			77-5714A
8	780121	2	Coil Spring, Front			
8	01-85292	2	Shock Cylinder, Front	3/4" OD x 1-7/16" Long, poly bushing	1	77-87033
				3/4" OD x 1-1/2" Long, sleeve	1	
				Washer Pack, 141991	1	
				Poly Bushing, Stem	2	
9	PR039-11	1	Track Bar, Front			
10	55-33-5704	1	Brkt, Brake Hose, Front Driver Side	1/4" x 3/4" coarse thread bolt	1	77-5704B
				1/4" sae washer	1	
				1/4" nyloc nut, coarse thread	1	
10	55-34-5704	1	Brkt, Brake Hose, Front Passenger Side	1/4" x 3/4" coarse thread bolt	1	77-5704B
				1/4" sae washer	1	
				1/4" nyloc nut, coarse thread	1	
23	780123	2	Coil Spring, Rear, 4 Door Models Only			
	OR 780122	2	Coil Spring, Rear, 2 Door Models Only			
24	55-50-5704	1	Track Bar Bracket, Rear Frame Mount	9/16" x 3-1/4" coarse thread bolt	1	77-5717
				9/16" sae washer	2	
				9/16" nyloc nut, coarse thread	1	
				1/2" x 1" coarse thread bolt	2	
				1/2" sae washer	2	
				1/2" stover nut, coarse thread	2	
26	55-21-5704	1	Brkt, Brake Hose, Rear Driver Side	1/4" x 3/4" coarse thread bolt	1	77-5704B
				1/4" sae washer	1	
				1/4" nyloc nut, coarse thread	1	
				1/4" x 1/2" self-tapping bolt	1	
				adel hose clamp	1	
26	55-22-5704	1	Brkt, Brake Hose, Rear Passenger Side	1/4" x 3/4" coarse thread bolt	1	77-5704B
				1/4" sae washer	1	
				1/4" nyloc nut, coarse thread	1	
				1/4" x 1/2" self-tapping bolt	1	
				adel hose clamp	1	
29	716244	2	Sway Bar Link, Rear	01-5710 - 90 degree heim joint	1	77-5717A
				01-60418 - bushing	1	
				24-5704 - sleeve	1	
				1/2" stover nut, fine thread	1	
				1/2" jam nut, fine thread	1	
				1/2" sae washer	1	
30	01-85139	2	Shock Cylinder, Rear	Poly Bushing, 3/4" ID x 1-7/16" Long	1	77-87033
				Sleeve, 3/4" OD x 1-1/2" Long	1	



OMIX-ADA, Inc.

460 HORIZON DR. SUITE 400 | SUWANEE, GA 30024 | PHONE: 770-614-6101 | FAX: 844-270-0593 | www.Omix-ADA.com

4 Inch, 2007-2018 JEEP WRANGLER JK - INCLUDING RUBICON

INTRODUCTION

Installation requires a professional mechanic.

Prior to beginning, inspect the vehicles steering, driveline, and brake systems, paying close attention to the suspension link arms and bushings, sway bars and bushings, tie rod ends, pitman arm, ball joints and wheel bearings. Also check the steering sector-to-frame and all suspension-to-frame attaching points for stress cracks. The overall vehicle must be in excellent working condition; repair or replace all worn parts.

Read instructions several times before starting. Be sure you have all needed parts and know where they install. Read each step completely as you go.

NOTES:

Prior to beginning the installation, check all parts and hardware in the box with the parts list below. If you find a packaging error, contact Superlift® directly. Do not contact the dealer where the system was originally purchased. You will need the control number from each box when calling; this number is located at the bottom of the part number label and to the right of the bar code.

A precision steering alignment, including the centering of the steering wheel, is required in order for the vehicle's Electronic Stability Program to function properly. Using "all laser" alignment equipment is recommended.

33" – 35" tires can be used without fender trimming.

Maximum tire width = 12.5"; Minimum tire diameter = 17"; Wheel width 8-9"; Minimum backspacing = 4.5"; Maximum backspacing = 4.75"

Stock wheels can be used with 33" tires. If 35" tires are used with stock wheels, 1.5" wheel spacers are required for tires to clear frame rails and allow full turning radius.

2 Door Wranglers - Due to increased driveshaft operating angles and short shaft length, factory rear driveshaft life will be reduced. When replaced, Superlift suggests converting to a dual cardan style shaft. These shafts can be purchased at many driveshaft shops.

An arrow on diagrams indicates which direction is toward the front of the vehicle.

A foot-pound torque reading is given in parenthesis () after each appropriate fastener. Do not fabricate any components to gain additional suspension height.

Prior to drilling or cutting, check behind the surface being worked on for any wires, lines, or hoses that could be damaged. After drilling, file smooth any burrs and sharp edges.

Paint or undercoat all exposed metal surfaces.

Prior to attaching components, be sure all mating surfaces are free of grit, grease, excessive undercoating, etc.

A factory service manual should be on hand for reference.



OMIX-ADA, Inc.

460 HORIZON DR. SUITE 400 | SUWANEE, GA 30024 | PHONE: 770-614-6101 | FAX: 844-270-0593 | www.Omix-ADA.com

4 Inch, 2007-2018 JEEP WRANGLER JK - INCLUDING RUBICON

Use the check-off box “” found at each step to help you keep your place. Two “” denotes that one check-off box is for the driver side and one is for the passenger side. Unless otherwise noted, always start with the driver side.

FRONT DISASSEMBLY

NOTE: Save all factory components and hardware for reuse, unless noted.

1) PREPARE VEHICLE...

- Place vehicle in neutral. Raise front of vehicle with a jack and secure a jack stand beneath each frame rail, behind the front / lower link arms. Ease the frame down onto the stands, place transmission in low gear or “park”, and chock rear tires. Remove front tires.
- Position a jack so that it supports, but does not raise, the front axle.

2) TRACK BAR...

- Remove the bolts securing the front track bar-to-axle and frame. Save hardware for re-use.

3) SWAY BAR LINKS AND SHOCK ABSORBERS...

- Remove and discard the front sway bar links.
- Remove and discard the shock absorbers.

4) BRAKE HOSES, WIRING, AXLE VENT HOSE...

- If optional extended length Bulletproof brake hoses are being used, these relocation brackets are not required. Install Bulletproof hoses now per separate instructions.
- If Bulletproof hoses are not being used, detach the factory brake hose bracket (one per side) at the frame. This bracket holds the connection between the rubber brake hose and the metal brake line.
- On each side, a clip attaches the ABS wire loom to the top / inboard side of the shock tower. Remove and discard the clip.
- The upper end of the axle vent hose is clamped to the driver side frame rail. Leave the hose attached to frame; simply pull down approximately 3” of hose.
- On Rubicon models, the wiring loom for the locking differential is attached to the axle-to-frame upper link. Remove and discard the clip.

5) DRIVESHAFT...

- Unbolt the front driveshaft at the front axle then tie it up and out of the way. Do not let the shaft “hang”; this risks pinching / damaging the grease boot at the transfer case end.

6) COIL SPRINGS...

- Loosen, but do not remove, the upper and lower link arm bolts at the axle and frame.
- Lower the axle enough to facilitate removing the front coil springs.



OMIX-ADA, Inc.

460 HORIZON DR. SUITE 400 | SUWANEE, GA 30024 | PHONE: 770-614-6101 | FAX: 844-270-0593 | www.Omix-ADA.com

4 Inch, 2007-2018 JEEP WRANGLER JK - INCLUDING RUBICON

FRONT ASSEMBLY

7) CAM BOLTS...[ILLUSTRATION 1]

One side at a time, remove the bolt securing the lower link arm-to-axle then remove the rear knock-outs that change the opening from a square hole to a slotted hole. A special tool is available for this, or use a die grinder with a small cutting wheel.

Reconnect lower link-arms-to axle using the supplied cam bolts (#26-5704), installed from the outside. Rotate the cams to their "most positive" setting, so that the front axle is shifted as far forward as possible (the bolt head will be in its most rearward position). Snug-up the bolts; do not fully tighten at this time.

8) COIL SPRINGS AND SHOCK ABSORBERS...

Perform step 8 one side at a time.

Be sure the factory rubber isolators are still in place inside the coil spring tower.

Insert the upper end of the coil spring into the tower first, followed by the lower seat. Be sure that the coils are indexed so they seat properly then raise the axle enough to hold the coil springs in place.

Install shock absorber. Tighten the upper hardware until bushings swell slightly. Install the lower shock bolts, and factory nut. Do not tighten at this time. Apply shock decals. After the shock absorber installation is complete, the jack can be lowered and relocated to allow installation on the opposite side.

9) TRACK BAR...

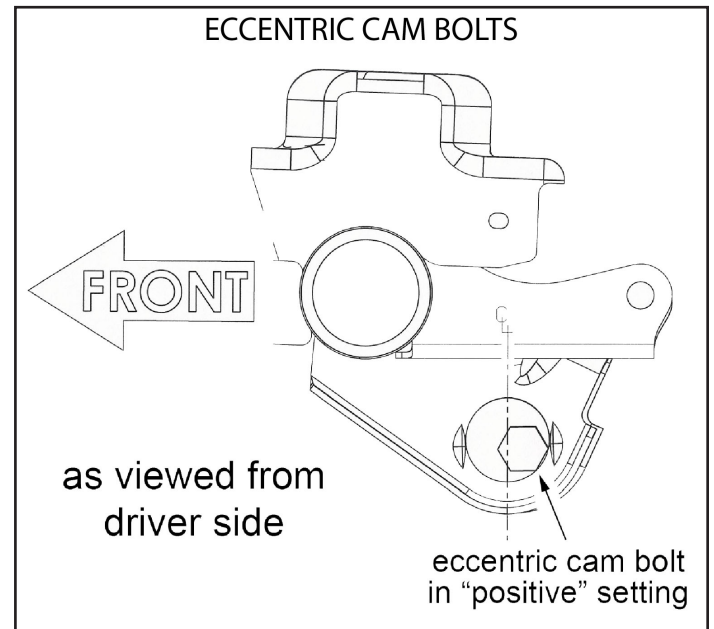
Set the overall length of the bar to 33-1/8" measured between eye centers. This will serve as a baseline prior to final adjustment. Do not tighten the jam nut at this time.

Position the adjustable end of the track bar in the mount on the axle. Insert the stock bolt to temporarily hold the track bar in place. This end of the track bar must be detached from the axle again in a later step so do not install its nut at this time.

Connect upper end of bar-to-frame using the stock bolt and nut. Do not tighten at this time.

NOTE: Final track bar adjustment and tightening are performed in later steps.

ILLUSTRATION 1





OMIX-ADA, Inc.

460 HORIZON DR. SUITE 400 | SUWANEE, GA 30024 | PHONE: 770-614-6101 | FAX: 844-270-0593 | www.Omix-ADA.com

4 Inch, 2007-2018 JEEP WRANGLER JK - INCLUDING RUBICON

10) BRAKE HOSES...[ILLUSTRATION 2]

NOTE: If optional Bulletproof brake hoses are being used, these relocation brackets are not required.

□□ Attach the appropriate brake hose upper bracket (#55-33-5704 driver side; #55-34-5704 passenger side) to the factory brake hose. Use the supplied 1/4" x 3/4" bolt, facing outward. The washer is used on the bolt head side. Install the supplied Nyloc nut and tighten (76 in-lb).

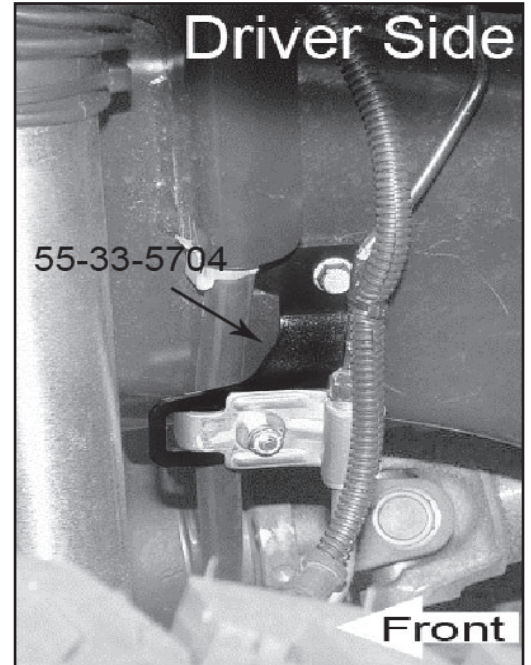
□□ Carefully re-form the metal brake line (do not kink the line) then attach the Superlift bracket to the factory location. (76 in-lb).

11) SWAY BAR LINKS...

□□ Remove the factory rear sway bar-to-axle links, and install them on the front of the vehicle. (**NOTE:** Rubicon models must install Kit Box # 5712 per separate instructions.) Attach the swivel (upper) end of the sway bar link-to-bar body (the stud faces inboard) then secure using factory hardware (66).

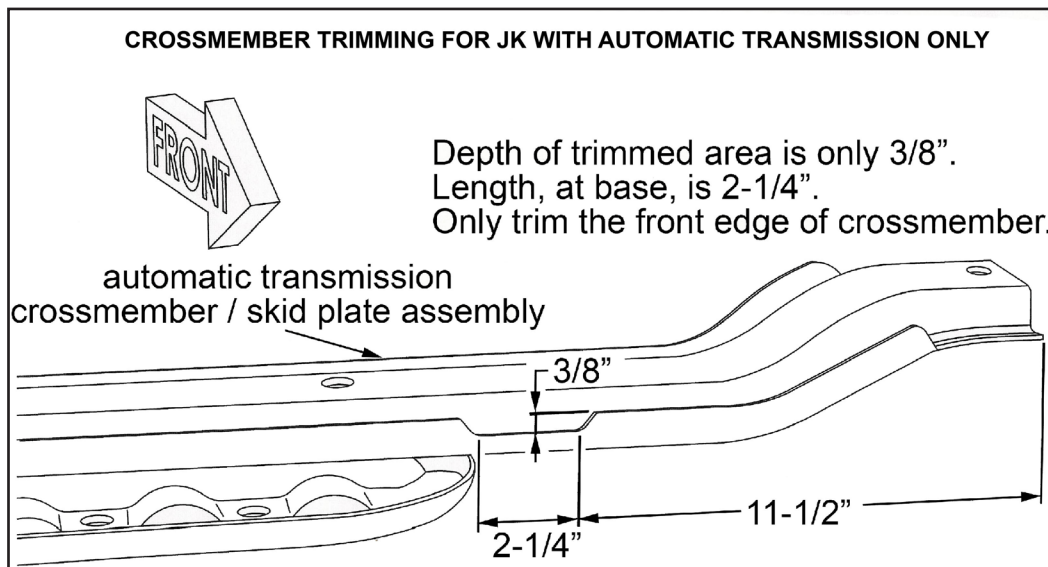
□□ Attach the lower (eye ring) end of sway bar link-to-axle. The eye ring seats against the inboard side of the mounting tab. The factory mounting bolt installs from the outboard side through the mounting tab then through the eye ring. Position one supplied .5" ID x 1.6" OD x .1875" thick washer onto the factory mounting bolt, install factory nut then tighten (75).

ILLUSTRATION 2



NOTE: MODELS WITH A CROSSMEMBER DIFFERENT THAN THE ONE PICTURED IN ILLUSTRATION 3 MOVE TO STEP 13.

ILLUSTRATION 3





OMIX-ADA, Inc.

460 HORIZON DR. SUITE 400 | SUWANEE, GA 30024 | PHONE: 770-614-6101 | FAX: 844-270-0593 | www.Omix-ADA.com

4 Inch, 2007-2018 JEEP WRANGLER JK - INCLUDING RUBICON

12) FRONT CROSSMEMBER, AUTOMATIC TRANSMISSION MODEL ONLY...[ILLUSTRATION 3]

Most models with automatic transmissions are equipped with a transmission pan skid plate / crossmember assembly. The forward lip of the crossmember must be trimmed to create adequate clearance between it and the driveshaft during full extension travel. The trimming process can be accomplished without removing the crossmember. Check for adequate clearance with suspension a full extension (with the front axle “hanging”). Excessive trimming weakens the crossmember.

13) FRONT DRIVESHAFT...

Connect the front driveshaft-to-axle using the factory hardware (81).

14) TIRES / WHEELS...[ILLUSTRATION 4]

Tighten the lug nuts (115) in the sequence shown.

WARNING: When the tires / wheels are installed, always check for and remove any corrosion, dirt, or foreign material on the wheel mounting surface, or anything that contacts the wheel mounting surface (hub, rotor, etc.). Installing wheels without the proper metal-to-metal contact at the wheel mounting surfaces can cause the lug nuts to loosen and the wheel to come off while the vehicle is in motion.

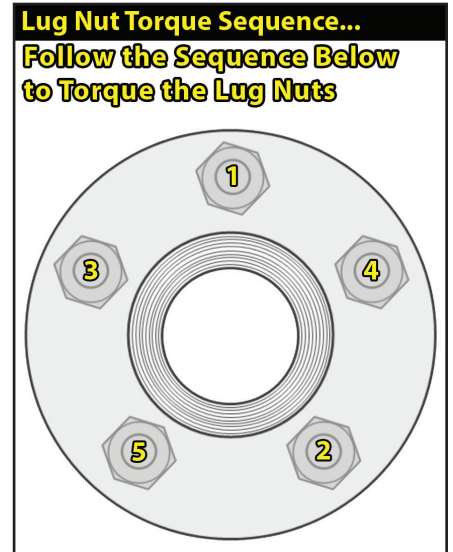
WARNING: Retighten lug nuts at 500 miles after any wheel change, or anytime the lug nuts are loosened. Failure to do so could cause wheels to come off while vehicle is in motion.

15) INITIAL CLEARANCE CHECK, FRONT...

With the vehicle still on jack stands, and the suspension “hanging” at full extension travel, cycle steering lock-to-lock and check all components for proper operation and clearances. Pay special attention to the clearance between the tires / wheels and brake hoses, wiring, driveshaft-to-crossmember, etc.

Lower vehicle to the floor. Final tightening and adjustments to the front suspension will take place once rear lift is completed.

ILLUSTRATION 4





OMIX-ADA, Inc.

460 HORIZON DR. SUITE 400 | SUWANEE, GA 30024 | PHONE: 770-614-6101 | FAX: 844-270-0593 | www.Omix-ADA.com

4 Inch, 2007-2018 JEEP WRANGLER JK - INCLUDING RUBICON

REAR DISASSEMBLY

16) PREPARE VEHICLE...

Place vehicle in neutral. Raise rear of vehicle with a jack and secure a jack stand beneath each frame rail, just ahead of the rear / lower link arms. Ease the frame down onto the stands, place transmission in low gear or “park”, and chock front tires. Remove rear tires.

Position a jack so that it supports, but does not raise, the rear axle.

17) TRACK BAR AND LINK ARMS...

Disconnect the factory track bar from the frame and loosen the axle attachment point.

Loosen, do not remove, the bolts securing both lower link arms to the axle and frame.

Loosen, do not remove, the bolts securing both upper link arms to the axle and frame.

18) BRAKE HOSES...

Detach the factory brake hose bracket from the frame. This factory mount bracket holds the connection between the rubber brake hose and the metal brake line.

Attach the provided front brake hose bracket (#55-33-5704 driver & # 55-34-5704 passenger) into the frame with the factory hardware. Attach the factory brake hose bracket to the new bracket with the provided 1/4" x 3/4" bolt, 1/4" washer & 1/4" Nyloc nut.

19) WHEEL SPEED SENSOR WIRES...

On each side, at the driver side upper link arm frame mount, two clips retain the wheel speed sensor wires. Disconnect the forward-most clip from the frame mount.

20) SHOCK ABSORBERS...

Remove and discard the factory rear shock absorbers.

21) EMERGENCY BRAKE CABLE BRACKETS, DIFFERENTIAL WIRING...

Locate the wire bracket securing the emergency brake cables to the bottom of the rear floorboard, above and slightly in front of the rear axle. Unbolt the wire bracket.

On Rubicon models, a wiring loom for the locking differential clips to a bracket bolted to the top of the differential cover. Un-clip the wiring loom then either remove the bracket, or use a mallet to flatten-out the clip side of the bracket. Failure to do so will cause the wiring loom to snag on the bracket during suspension articulation.

22) COIL SPRINGS...

Lower the axle just enough to facilitate removing the coil springs.

CAUTION: The driveshaft has a rubber boot on the transfer case end. If the axle is lowered too much, boot bind / damage may occur.



OMIX-ADA, Inc.

460 HORIZON DR. SUITE 400 | SUWANEE, GA 30024 | PHONE: 770-614-6101 | FAX: 844-270-0593 | www.Omix-ADA.com

4 Inch, 2007-2018 JEEP WRANGLER JK - INCLUDING RUBICON

REAR ASSEMBLY

23) COIL SPRINGS...

Install the new coil springs. Rotate the coils so that they seat properly in the coil buckets then raise the axle enough to seat the springs.

24) TRACK BAR BRACKET...

[ILLUSTRATION 5]

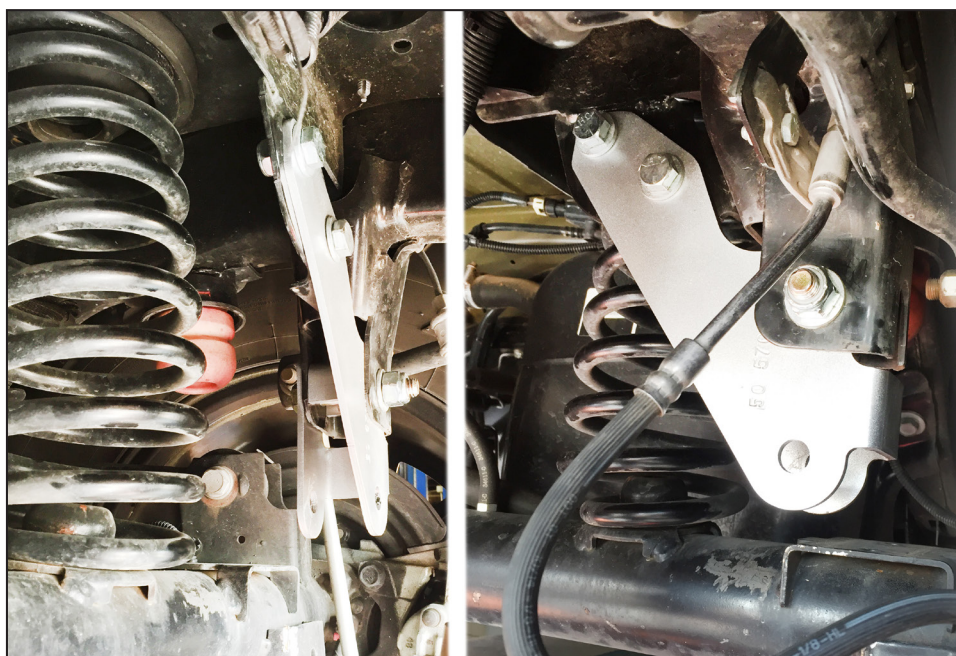
Position the Superlift track bar bracket (#55-50-5704) on the factory rear track bar mount and insert the supplied 9/16" x 3-1/4" bolt, from the front, through the Superlift bracket and factory mount. Install the washer and nyloc nut but do not tighten.

Install the two supplied 1/2" x 1" bolts, flat washers, and Stover nuts, in the top two holes. These can be installed from the rear. Tighten (57).

Tighten the 9/16" bolt. (82)

Reconnect track bar using factory hardware. The bar will be tightened in a later step.

ILLUSTRATION 5



25) BRAKE HOSE BRACKETS...

[ILLUSTRATION 6 & 7] Perform this step one side at a time.

A plastic clip attaches the metal brake line to the frame; remove and discard this clip.

Attach the rear brake hose bracket (#55-21-5704 driver side and #55-22-5704 passenger side) to the factory frame location using the factory hardware. Be sure the alignment tab engages with the hole in the frame. Tighten (95 in-lb).

Attach the brake hose-to-bracket using the supplied 1/4" x 3/4" bolt, washer, and Nyloc nut. Install bolt from the outside, place the washer on the nut side then tighten (95 in-lb).

Carefully re-form the metal line so that it runs along the upper edge of the frame, as shown. The supplied Adel clamps (one per side) hold the re-formed metal brake lines snugly against the frame to prevent them from potentially making contact with the sway bar links.



OMIX-ADA, Inc.

460 HORIZON DR. SUITE 400 | SUWANEE, GA 30024 | PHONE: 770-614-6101 | FAX: 844-270-0593 | www.Omix-ADA.com

4 Inch, 2007-2018 JEEP WRANGLER JK - INCLUDING RUBICON

ILLUSTRATION 6

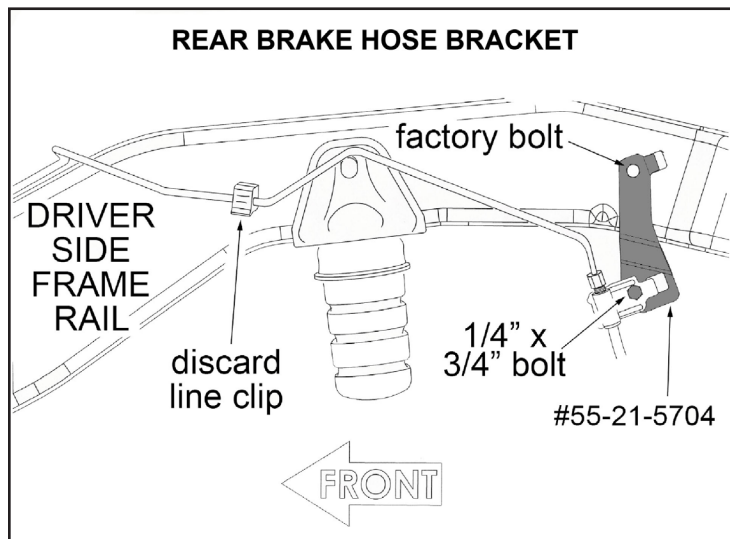
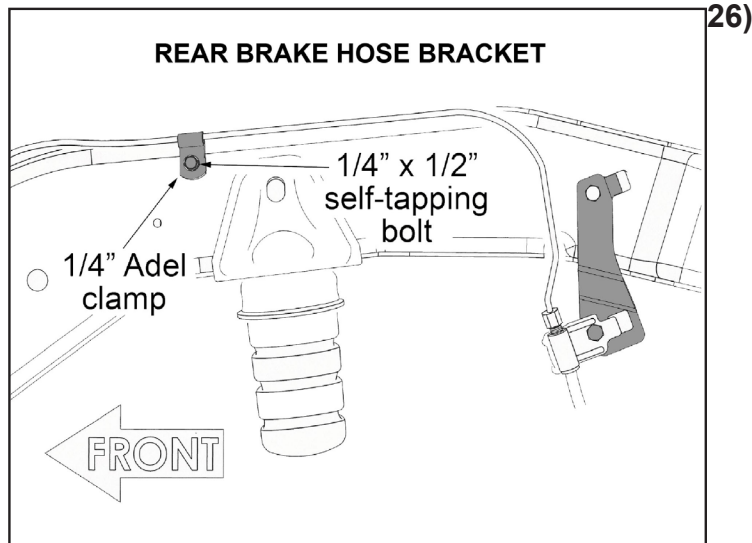


ILLUSTRATION 7



EMERGENCY BRAKE CABLES, 2-DOOR MODEL ONLY...

□□ The emergency brake cables are routed beneath the vehicle body (along the transmission tunnel), above a frame crossmember then down to each wheel. On each side, disconnect the cables at the axle and re-route them to below the frame crossmember. Reattach cables-to-axle.

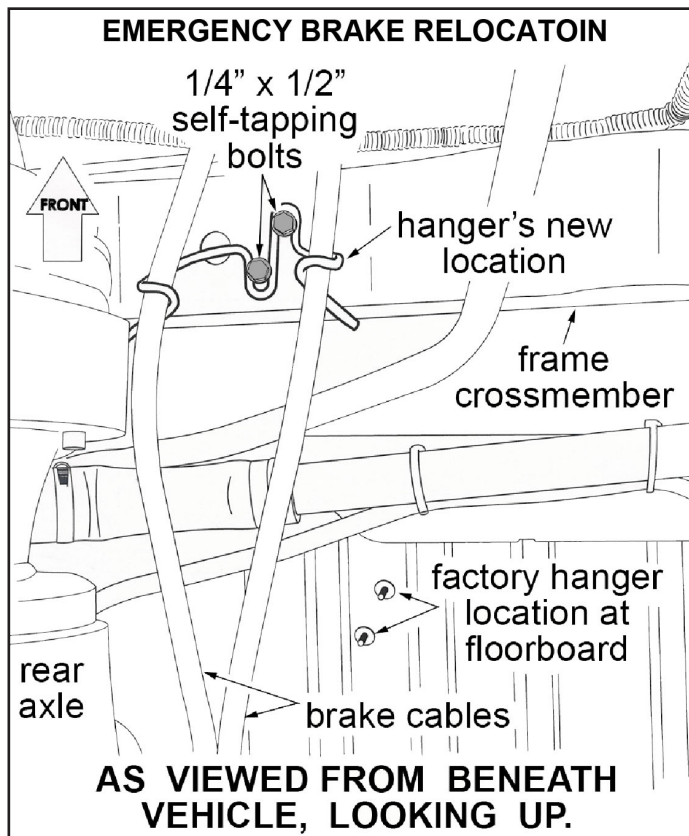
27) EMERGENCY BRAKE CABLES, 4- DOOR MODEL ONLY...

[ILLUSTRATION 8]

□ The emergency brake cables are routed beneath the vehicle body (along the transmission tunnel), above a frame crossmember, then through a wire hanger bracket that is attached to the floorboard. Detach the two emergency brake cables from the wire hanger bracket then detach the wire hanger bracket from the floorboard.

□ Position the wire hanger bracket at the center of the frame crossmember, as shown. Using the wire hanger bracket as a template, mark the location for the two mounting holes to be drilled. Drill the mounting holes using a 13/64 inch bit. Attach the wire hanger bracket-to-frame crossmember using the supplied 1/4 inch x 1/2 inch self-tapping bolts and tighten (75 in-lb).

ILLUSTRATION 8





OMIX-ADA, Inc.

460 HORIZON DR. SUITE 400 | SUWANEE, GA 30024 | PHONE: 770-614-6101 | FAX: 844-270-0593 | www.Omix-ADA.com

4 Inch, 2007-2018 JEEP WRANGLER JK - INCLUDING RUBICON

On each side, disconnect the emergency brake cable at the axle and re-route them to below the frame crossmember. Insert each emergency brake cable into the relocated wire hanger bracket then reconnect emergency brake cables-to-axle.

28) SWAY BAR LINKS ...

Drill out the holes in the ends of the stabilizer bar to 1/2".

Lubricate the supplied bushings and sleeves with a light, Silicone or Lithium based grease; then install 3/4" ID bushings and 1/2" ID sleeves into the bottom (eyeing) end of the Superlift sway bar links (#716244).

Apply anti-seize to the top (stud) end of the Superlift sway bar links. Install the 1/2" jam nut onto the link then the 90° swivel end. Adjust the swivel end to reach a center of swivel-to-center of eye length of 11-1/4" then tighten the jam nut.

From the factory, the sway bar links mount outboard of the anti-sway bar body with their upper studs facing inboard. The Superlift links install facing the same direction as factory.

First position one 1/2" SAE washer onto the link stud, then insert stud through the sway bar body attachment hole. Position remaining 1/2" SAE washer, Nyloc nut and tighten (80).

Attach the Superlift links' lower ends using the factory hardware. Tighten (75).

29) SHOCK ABSORBERS...

Install shock hardware / boots. Install shocks using the factory bolts. At this time, tighten only the upper shock mount bolts (37). Apply shock decals.

NOTE: IF VEHICLE IS 2 DOOR OR NOT EQUIPPED WITH EVAPORATIVE CANISTER, MOVE TO STEP 32.

30) EVAPORATIVE CANISTER...[ILLUSTRATION 9]

The evaporative canister is located on the driver side between the transfer case and rear axle. Loosen the rear single bolt of the evaporative canister but do not remove.

Remove the front two bolts. Measure from the center of the inside hole "A" towards the center of the vehicle 2", then to the rear of the vehicle 9/16", mark and drill a 5/8" hole.

Pivot the evaporative canister to the driver side of the vehicle so the hole "A" is now over the "B" position and reinsert the factory bolt. (75)

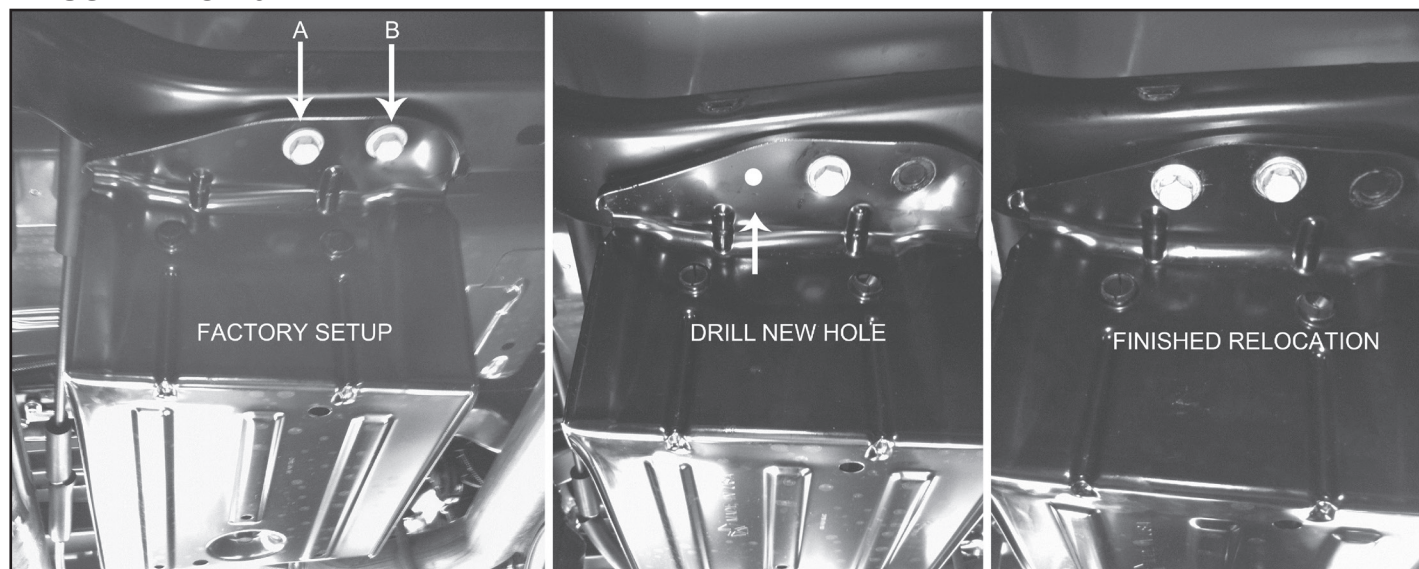
Insert the remaining factory bolt through the newly drilled hole. (75) Tighten the rear bolt. (75).



460 HORIZON DR. SUITE 400 | SUWANEE, GA 30024 | PHONE: 770-614-6101 | FAX: 844-270-0593 | www.Omix-ADA.com

4 Inch, 2007-2018 JEEP WRANGLER JK - INCLUDING RUBICON

ILLUSTRATION 9



FINAL PROCEDURES

31) TIRES / WHEELS...

- Install the tires and wheels as per step 15.

32) INITIAL CLEARANCE CHECK, REAR...

- With the vehicle still on jack stands, and the suspension “hanging” at full extension travel, check all components for proper operation and clearances. Pay special attention to clearance between the tires / wheels and brake hoses, driveshaft, etc.

33) HARDWARE TIGHTENING SEQUENCE...

- Remove jack stands and lower vehicle to the floor. The suspension is now supporting vehicle weight.
- Rear track bar, both ends (125).
- All rear link arms-to-frame and axle (125).
- Front / lower link arms-to-frame and axle (125). **NOTE:** Be sure that eccentric cam bolts are positioned as per step 7.
- Front / upper link arms-to-frame and axle (75).
- All shock absorber eyes (56).



OMIX-ADA, Inc.

460 HORIZON DR. SUITE 400 | SUWANEE, GA 30024 | PHONE: 770-614-6101 | FAX: 844-270-0593 | www.Omix-ADA.com

4 Inch, 2007-2018 JEEP WRANGLER JK - INCLUDING RUBICON

34) FRONT TRACK BAR ADJUSTMENT...

Verify that the tires (not the steering wheel) are pointed straight ahead. Position a plumb bob, or similar tool, against the inside edge of the frame. Measure the distance between the line of the plumb bob and the inside edge of the wheel. Record this measurement, then repeat the procedure on the other side.

Compare the two measurements; the goal is to make them equal. If the driver side measurement is greater than the passenger side, the track bar needs to be lengthened. If the passenger side measurement is greater than the driver side, the track bar needs to be shortened. Disconnect the lower (adjustable) end of the track bar from the axle and make the appropriate adjustments.

Tighten the jam nut firmly then reattach the bar-to-axle (130). Tighten the bar-to-frame bolt (130).

WARNING! No more than 3/8" of Heim end threads can be exposed once the jam nut is tightened.

35) CENTER THE STEERING WHEEL...

IMPORTANT: The steering wheel must be centered prior to moving the vehicle, or an Electronic Stability Program sensor may be activated resulting in a dash light and a warning chime that requires 20 plus ignition key cycles to clear.

Start engine and steer wheels straight ahead. Loosen the nuts on the drag link adjustment sleeve then rotate adjuster until steering wheel center is achieved.

36) FINAL CLEARANCE and TORQUE CHECK...

Cycle steering lock-to-lock and inspect the tires / wheels, and the steering, suspension, and brake systems for proper operation, tightness and adequate clearance.

37) HEADLIGHTS...

Readjust headlights to proper setting.

38) SUPERLIFT® WARNING DECAL...

Install the WARNING TO DRIVER decal on the inside of the windshield, or on the dash, within driver's view. Refer below to: Important Product Use and Safety Information / Warnings.

39) ALIGNMENT...

Realign vehicle to factory specifications. A precise alignment, including the centering of the steering wheel, is required in order for the vehicle's Electronic Stability Program to function properly. A laser alignment is recommended.

IMPORTANT MAINTENANCE INFORMATION

⚠ WARNING: It is the ultimate buyer's responsibility to have all bolts / nuts checked for tightness after the first 100 miles and then every 1000 miles. The steering, suspension and driveline systems, plus wheel alignment should be inspected by a qualified professional mechanic at least every 3000 miles.