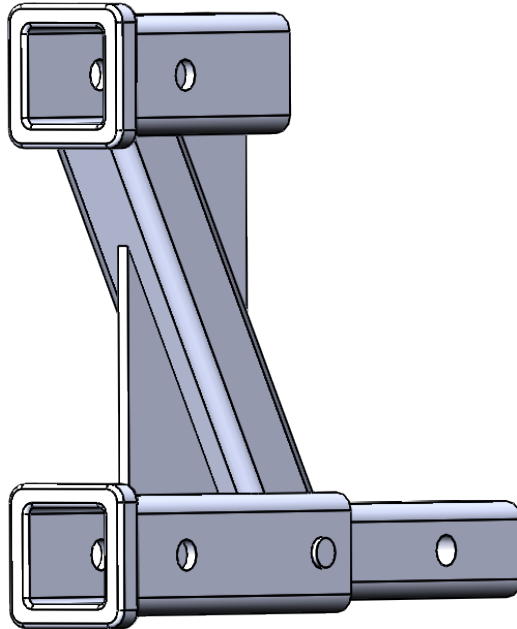


CHE Instruction Sheet- CHE-10/ CHE-8/ CHE-6/ CHE-4

WARNING: THIS PRODUCT IS NOT DESIGNED FOR USE AS A HITCH BOX EXTENSION, OR FOR TRAILER TOWING. THIS PRODUCT IS INTENDED TO BE USED WITH A TOW BAR AND BIKE RACK OR CARGO PLATFORM ONLY! NOT TO BE USED WITH WEIGHT DISTRIBUTION SYSTEMS.

This product is rated for 10,000 pounds pulling/ 500 pounds vertical load.



CHE-10 pictured

WARNING: Failure to read and follow all instructions could lead to PROPERTY DAMAGE AND/OR PERSONAL INJURY

1. Read and follow all instructions and warnings in your vehicle owner's manual.
2. Never exceed the vehicle manufacturer's recommended capacities.
3. Secure the device to hitch using the proper size hitch pin and retaining clip or hitch pin lock.
4. Follow all instructions included with the Tow Bar and/or Accessory. Be sure to adhere to all capacities and weight restrictions of all components. **Note: Total combined vertical load not to exceed 500 pounds or tongue weight rating of the hitch, whichever is lower.**
5. User is responsible for verifying clearance needed, and for maintaining adequate turning radius when using this product.
6. Product may be used in either the drop or rise position.



This product is designed for use with approved tow bar devices ONLY.

RIGID[®]
HITCH INCORPORATED
3301 WEST BURNSVILLE PARKWAY
BURNSVILLE, MN 55337

REV.
2/22