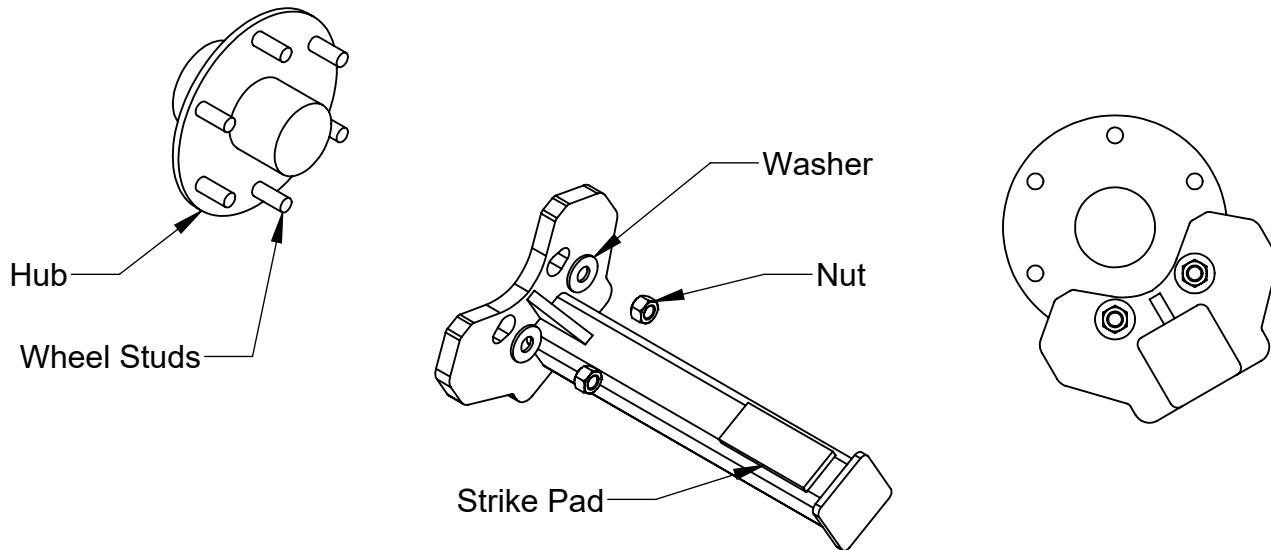


Hub Removal Tool
RH-2610
Fits all 5, 6 and 8 bolt hubs

Tools Required:
Heavy Hammer
Wrenches: Open End, or Ratchet and Socket

Use of personal protection equipment is required. Gloves, Ear and Eye protection.



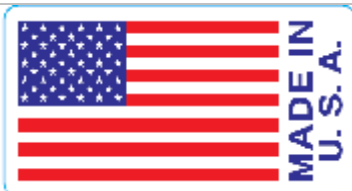
1. Select the correct flange nuts or hex nut and flat washer combination for wheel studs.
2. Attach the RH-2610 to the hub by tightly threading the nuts on any two of the studs.
3. Using a large hammer strike the RH-2610 on the strike pad repeatedly until the hub breaks free.
Tip: for stubborn hubs rotate the hub from bottom to top and strike at different angles.

Note: This tool is intended to be used on hubs that are rusted in place. Using this tool can damage the hub, and/or the studs, making them unfit for reuse.

Thank you for purchasing a Rigid Hitch product

Included:	(2) M14-1.5 Hex Nuts	(2) 5/8-18 Hex Nuts	(2) 7/16-20 Hex Nuts	(2) 1/2" Flat Washers
	(2) M12-1.5 Flange Nuts	(2) 9/16-18 Hex Nuts	(2) 5/8" Flat Washers	(2) 7/16" Flat Washers
	(2) M14 Flat Washers	(2) 1/2-20 Hex Nuts	(2) 9/16" Flat Washers	

KEEP THIS INSTRUCTION SHEET



**RIGID
HITCH**
3301 WEST BURNSVILLE PARKWAY
BURNSVILLE, MN 55337

REV.
6/22