

CLASS 3 TRAILER HITCH

R3-0122

Jeep Grand Cherokee/ Commander

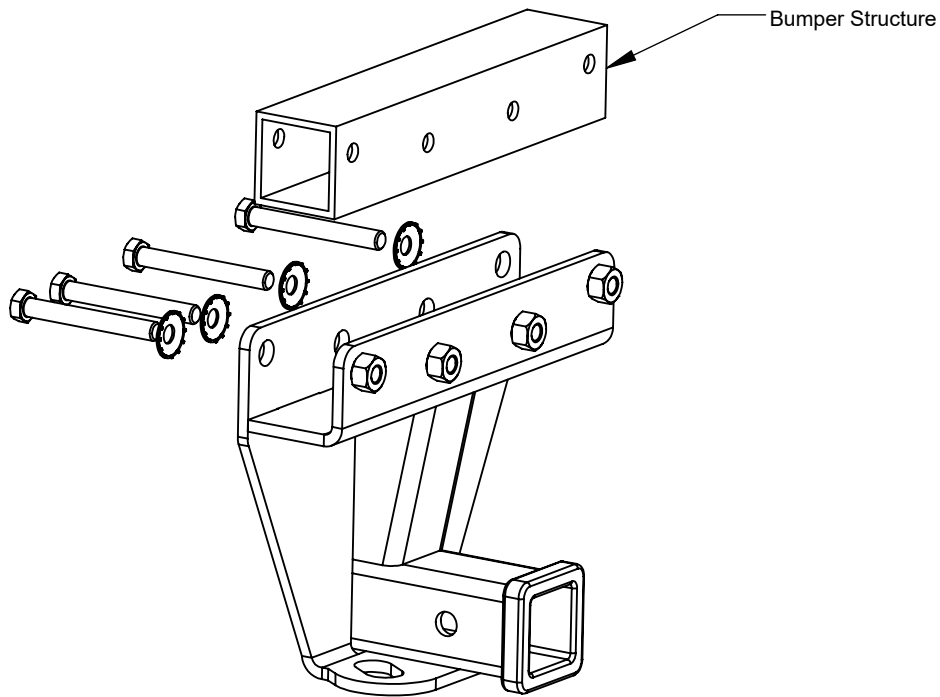
TOOLS REQUIRED:

DRILLS: None

WRENCHES: Ratchet, Torque Wrench, 3/4"

HITCH RATING: 5,000 LBS WEIGHT CARRYING, 500 LBS TONGUE WEIGHT / 7,500 LBS WEIGHT DISTRIBUTING, 750 LBS TONGUE WEIGHT.
WARNING: CONSULT VEHICLE OWNERS MANUAL FOR TOWING RECOMMENDATIONS. DO NOT EXCEED VEHICLE'S RECOMMENDED TOWING CAPACITY. THIS PRODUCT IS DESIGNED FOR TRAILER TOWING ONLY AND SHOULD NOT BE USED FOR ANY OTHER PURPOSE.

NOTE: INSTALL PARTS LOOSELY UNTIL ALL ATTACHMENTS HAVE BEEN MADE TO VEHICLE



1. Lower spare tire.
2. Remove tow hook if present and return to vehicle owner.
3. Remove the four large and two small plastic push fasteners from bumper fascia tabs and save for reinstallation.
4. Pull bumper cover away from vehicle and raise the hitch into position.
5. Secure hitch with hex bolts and conical washers provided through existing holes in bumper structure. Torque all bolts to 60 LB-FT.
6. Reinstall the plastic push fasteners removed in step 3.
7. Raise spare tire back into position.

Thank you for purchasing a Rigid Hitch

Hardware Package: (4) 1/2"-13 x 4" Hex Bolts (4) 1/2" Conical Washers

GIVE THIS INSTRUCTION SHEET TO VEHICLE OWNER



THIS PRODUCT COMPLIES WITH SAFETY SPECIFICATIONS AND REQUIREMENTS FOR SAE AND VESC REGULATION V-5 FOR CONNECTING DEVICES AND TOWING SYSTEMS. DO NOT MODIFY THIS PRODUCT. INSTALL ONLY ON SPECIFIED VEHICLES IN GOOD CONDITION.

RIGID[®]
HITCH INCORPORATED
3301 WEST BURNSVILLE PARKWAY
BURNSVILLE, MN 55337

REV.
7/17